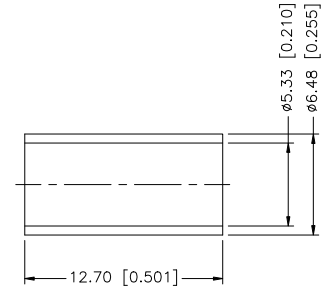
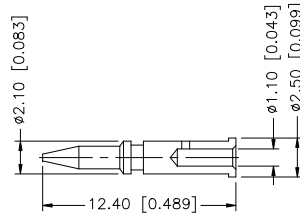
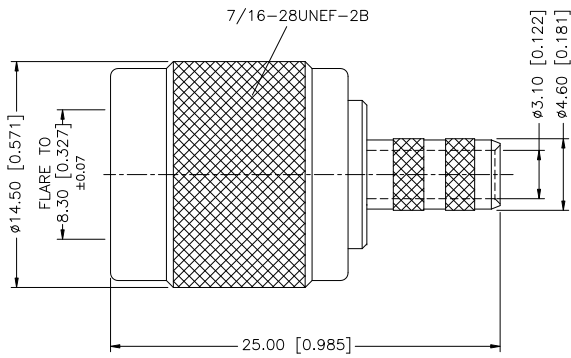
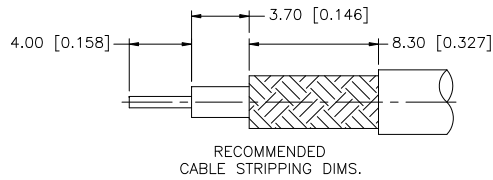


REV.	DATE	ECR NO.	DESCRIPTION
A	12/23/02	-	MODIFY CONTACT PIN LENGTH TO 12.25mm
B	07/16/08	-	MODIFY CONTACT PIN LENGTH TO 12.40mm



NOTE:

1. CRIMPED FERRULE HEX CRIMP SIZE .213" [5.41]
2. CRIMPED CONTACT PIN HEX CRIMP SIZE .068" [1.73]

8					APPROVALS	DATE	Amphenol Connex			
7					DRAWN G.R.S.	07/16/08				
6					CHECKED		PART NO. 122108			
5	FERRULE	BRASS	NICKEL	1	ISSUED					
4	GASKET	RUBBER	RED	1	SHEET 1 OF 1		REV. B SIZE A SCALE NA			
3	INSULATOR	DELTRIN	NATURAL	1						
2	CONTACT PIN	BRASS	GOLD	1			DO NOT SCALE DRAWING			
1	SHELL/BODY	BRASS	NICKEL	1						
	DESCRIPTION	MATERIAL	FINISH	QTY						

UNLESS OTHERWISE SPECIFIED DIMENSIONS ARE IN MILLIMETERS; DIMENSIONS IN [] ARE IN INCHES AND FOR CUSTOMER REFERENCE ONLY.

UNLESS OTHERWISE SPECIFIED TOLERANCES FOR MILLIMETERS ARE:
0.5 - 8mm ± 0.20mm
8 - 30mm ± 0.40mm
30 - 120mm ± 0.50mm

UNLESS OTHERWISE SPECIFIED TOLERANCES FOR INCHES ARE:
.020 - .315 ± 0.007"
.315 - 1.180 ± 0.015"
1.180 - 4.724 ± 0.020"