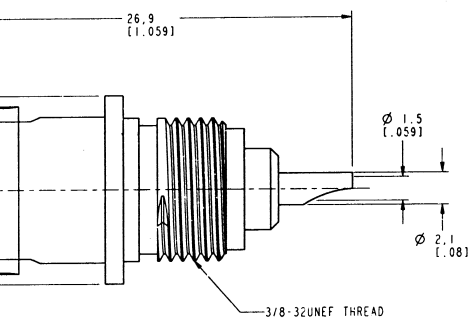
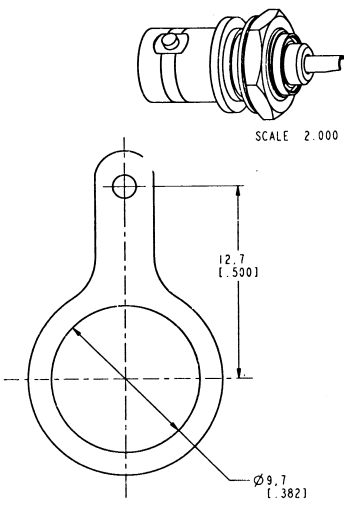
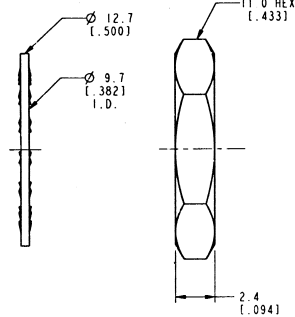


NICKEL PLATED
 BRASS NICKEL PLATED
 BRONZE GOLD PLATED
 NICKEL PLATED
 OR NATURAL

31-221-RFX		REVISIONS			
DRAWING NO.	REV	DESCRIPTION	DATE	ECO	APPR
THIRD ANGLE PROJ.	A	RELEASE TO MFG.	5/3/91	38063	DR
	H	SEE SHEET 1	1/26/00	43337	CPM



ROUND MOUNTING
 DIMENSIONS
 4.000



SCALE 2.000

CUSTOMER OUTLINE DRAWING
 FOR REFERENCE ONLY

ALL DIMENSIONS ARE IN INCHES AND TOLERANCES ARE:
 30 - 120mm ± 0.6mm
 Other data (1) are, and remain the same, unless noted upon request; and (2) are for information only and are not to be used for any other person other than those to whom they are issued; and (3) are for information only and are not to be used for any other person to anyone for any purpose whatsoever in any manner licensing, granting, or otherwise, person to manufacture, use or sell any product, that may in any way be related to this drawing, or other data.

MATERIAL	DRAWN	DATE	TITLE	Amphenol Amphenol Corporation Communication and Network Products Division Danbury, CT U.S.A. 06810
	C. McGRATH	18-Apr-00		
REFERENCE EAR 962370-0 & 967506-0 GEN# ASSYF15.BNC	ENGINEER	DATE	BNC BULKHEAD RECEPTACLE JACK	SCALE 4.0:1 SHEET 2 OF 2
	T. AUBIN	18-Apr-00		
	APPROVED	DATE		
	<i>[Signature]</i>	1/26/00		
	CAD FILE	CODE 10	DWG SIZE	DRAWING NO.
	I:\BNC\31-221-RFX	74868	B	31-221-RFX
				REV H