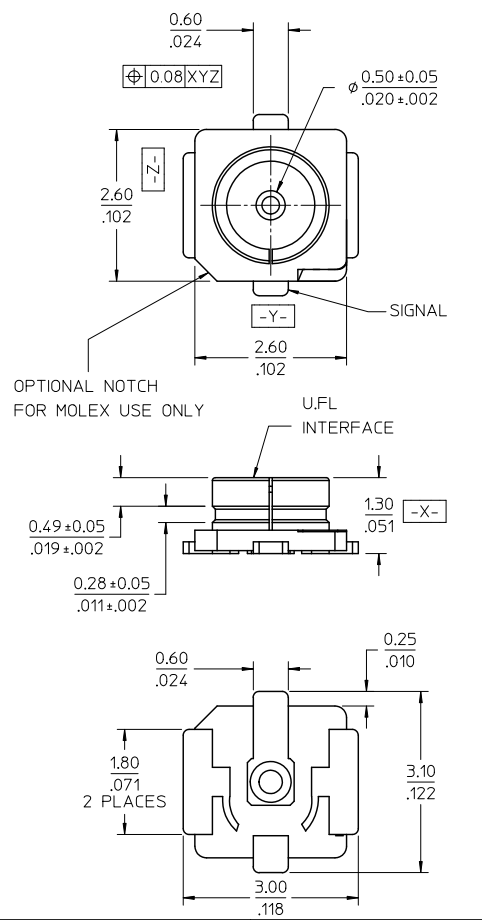
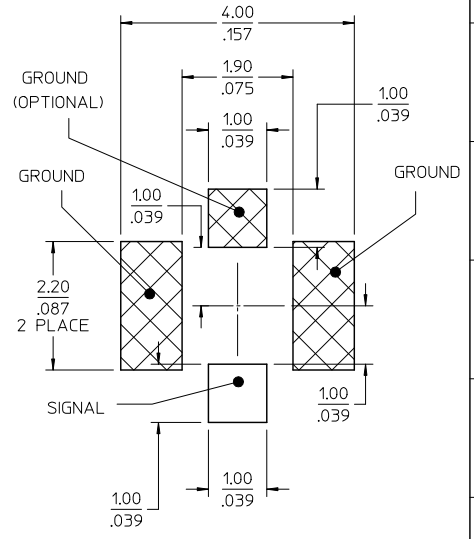
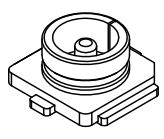
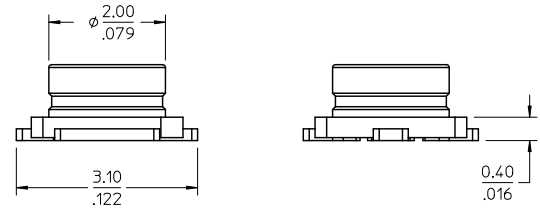


13 12 11 10 9 8 7 6 5 4 3 2 1



MATERIAL AND FINISHES:
 BASE: LCP
 COLOR: IVORY
 CONTACT: PHOSPHOR BRONZE(JIS 5191-SH)
 PLATED GOLD (3u") OVER NICKEL (50u")
 OUTER CONTACT PHOSPHOR BRONZE(JIS 5191-SH)
 PLATED GOLD (FLASH) OVER NICKEL (50u")

WILL WITHSTAND REFLOW
 TEMPERATURE OF
 265 DEG C +5 DEG
 VSWR
 DC-3GHZ: 1.18 MAX
 DC-6GHZ: 1.30 MAX

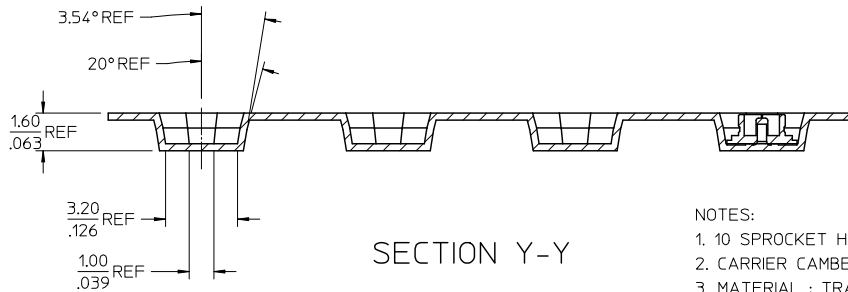
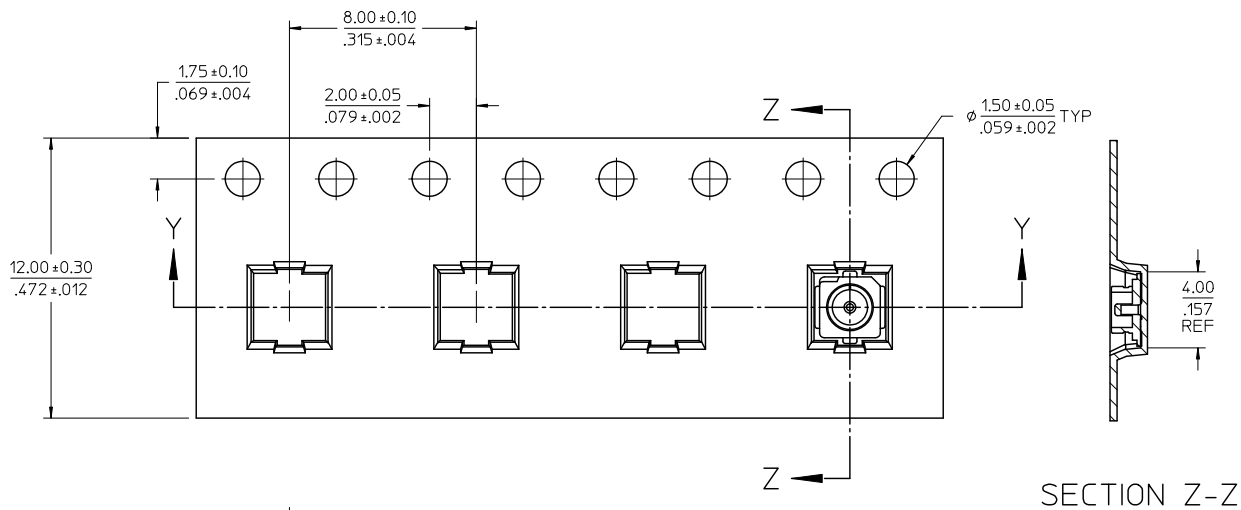


| | |
|---------------|-------------|
| PS-73598-0210 | PROD SPEC |
| SPECIFICATION | DESCRIPTION |

| | |
|------------|---------------------------------------|
| 73412-0114 | TAPE AND REEL (1K/REEL) |
| 73412-0112 | 73412-0110, 10 PIECES PER BAG IN TAPE |
| 73412-0110 | TAPE AND REEL (5K/REEL) |
| PART NO. | PACKAGING |

| | | | | | | | |
|---------------------------|---|-------------------------------|---|-----------------|--------------|--|------------------------|
| CHG: ADDED VSWR | 2011/03/28 EIC NO: LPE2011-0567 DRAWN: JENER CHECKED: JENER APPR: JENER 2011/03/29 2011/03/31 | QUALITY SYMBOLS ▽=0 ▽=0 | GENERAL TOLERANCES (UNLESS SPECIFIED) | DIMENSION STYLE | SCALE | DESIGN UNITS | THIRD ANGLE PROJECTION |
| ADDED PLATING THICKNESSES | | | MM/IN | MM/MIN | METRIC | ☉ | |
| 4 PLACES ± --- ± --- | | | DRAWN BY | DATE | TITLE | MICRO COAXIAL CONNECTOR RECEPTACLE VERTICAL EWR-4537 MOLEX INCORPORATED | |
| 3 PLACES ± --- ± --- | | | DARRY | 2003/1/27 | SEE TABLE | | |
| 2 PLACES ± 0.25 ± --- | | | JOHNSON | 2003/1/27 | SD-73412-011 | | |
| 1 PLACE ± 0.13 ± --- | APPROVED BY | DATE | DOCUMENT NO. | SHEET NO. | | | |
| ANGULAR ± 2 ° | MHUANG | 2010/11/28 | SD-73412-011 | 1 OF 2 | | | |
| | MATERIAL NO. | | THIS DRAWING CONTAINS INFORMATION THAT IS PROPRIETARY TO MOLEX INCORPORATED AND SHOULD NOT BE USED WITHOUT WRITTEN PERMISSION | | | | |
| | SIZE | | | | | | |

12 11 10 9 8 7 6 5 4 3 2 1



NOTES:

1. 10 SPROCKET HOLE PITCH CUMULATIVE TOLERANCE ±0.20mm
2. CARRIER CAMBER IS WITH 1mm IN 250mm
3. MATERIAL : TRANSPARENT POLYSTYRENE ALLOY
4. ALL DIMENSIONS MEET EIA-481-1 REQUIREMENT
5. THICKNESS: 0.30±0.05mm
6. PACKING LENGTH PER 22" REEL (122.5 Meters)
7. COMPONENT LOAD PER 13" REEL (5,000 PCS)

SECTION Y-Y

SECTION Z-Z

| | | | | | | | | | |
|---|-------------------------------|---------------------------------------|--|-----------------|--|---|--------------|------------------------|-------|
| CHG: SEE SHEET 1 EC NO: URF2011-0567 DRWN: JWIENER 2011/03/29 CHKD: SSS 2011/03/29 APPR: JWIENER 2011/03/31 | QUALITY SYMBOLS ▽=0 ▽=0 | GENERAL TOLERANCES (UNLESS SPECIFIED) | | DIMENSION STYLE | | SCALE | DESIGN UNITS | THIRD ANGLE PROJECTION | |
| | | | | MM/IN | | | METRIC | | |
| | | | | | | DRAWN BY | DATE | | TITLE |
| | | | | | | CHECKED BY | DATE | | |
| | | | | | | MOLEX | | | |
| | | | | | | MOLEX INCORPORATED | | | |
| | | | | | | DOCUMENT NO. | | SHEET NO. | |
| | | | | | | SD-73412-011 | | 2 OF 2 | |
| | | | | | | THIS DRAWING CONTAINS INFORMATION THAT IS PROPRIETARY TO MOLEX INCORPORATED AND SHOULD NOT BE USED WITHOUT WRITTEN PERMISSION | | | |