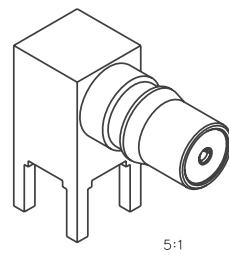
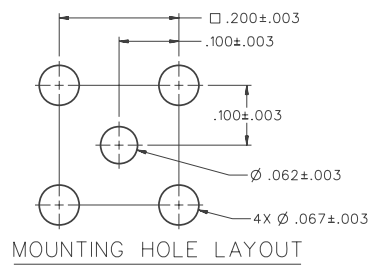
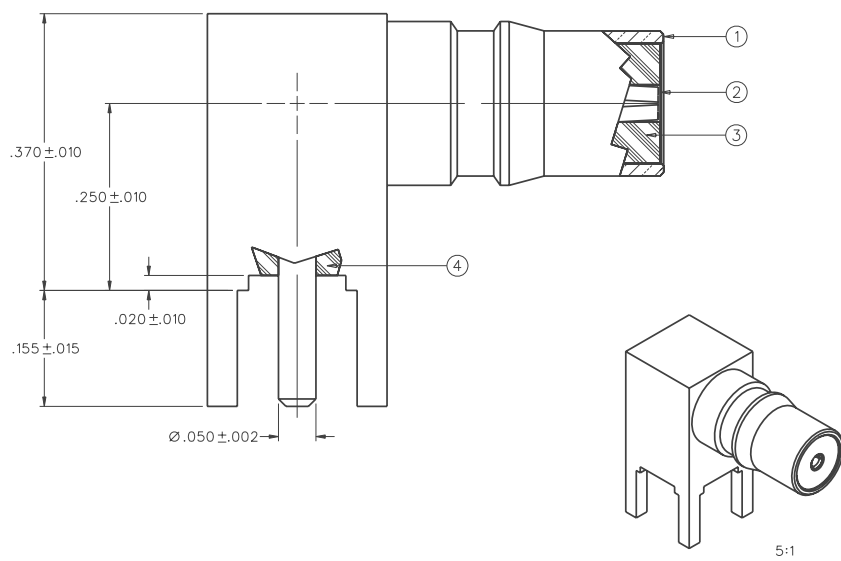


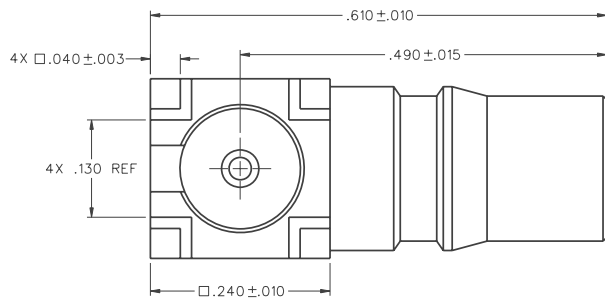
PART NUMBER	ITEM ①	ITEM ②	ITEM ③	ITEM ④
146-0701-301	BODY BRASS GOLD PL .00001 MIN OVER NICKEL PL .00005 MIN OVER COPPER PL .00005 MIN	CONTACT (ONE PIECE) BERYLLIUM COPPER GOLD PL .00005 MIN OVER NICKEL PL .00005 MIN OVER COPPER PL .00005 MIN	INSULATOR TEFLON	INSULATOR TEFLON

DRAWING NO. C - 146-0701-301/310			
0 REVISIONS			
PRE-PRODUCTION USE ONLY			
0	8-18-08	P.1 A.1 V.1 B.1	8-25-08 ECN 51602

REV.1 MARKUP
FOR ENG REL ECO
T.KARI 2-18-09



NOTES:
1. SPECIFICATIONS:
IMPEDANCE: 50 OHMS
FREQUENCY RANGE: 0-12.4 GHZ
VSWR: NOT APPLICABLE
WORKING VOLTAGE: 335 VRMS MAX AT SEA LEVEL
DIELECTRIC WITHSTANDING VOLTAGE: 1000 VRMS MIN AT SEA LEVEL
INSULATION RESISTANCE: 5000 MEGOHM MIN
CONTACT RESISTANCE:
CENTER CONTACT - INITIAL 3.0 MILLIOHM MAX, AFTER ENVIRONMENTAL 4.0 MILLIOHM MAX
OUTER CONDUCTOR - INITIAL 2.0 MILLIOHM MAX AFTER ENVIRONMENTAL NOT APPLICABLE
BRAID TO BODY - NOT APPLICABLE
CORONA LEVEL: 250 VOLTS MIN AT 70,000 FEET
INSERTION LOSS: NOT APPLICABLE
RF LEAKAGE: NOT APPLICABLE
RF HIGH POTENTIAL WITHSTANDING VOLTAGE: 670 VRMS AT 4 AND 7 MHZ MIN
MECHANICAL:
ENGAGE FORCE: 5.6 POUNDS TYPICAL
DISENGAGE FORCE: 4.5 POUNDS TYPICAL
COUPLING DEVICE RETENTION: NOT APPLICABLE
CONTACT RETENTION: 6 LBS MIN AXIAL FORCE
CABLE ACCEPTABILITY: NOT APPLICABLE
CABLE HEX CRIMP SIZE: NOT APPLICABLE
CABLE RETENTION: NOT APPLICABLE
DURABILITY: 500 CYCLES MIN
ENVIRONMENTAL:
(MEETS OR EXCEEDS THE APPLICABLE PARAGRAPH OF MIL-PRF-39012)
THERMAL SHOCK: MIL-STD-202, METHOD 107, CONDITION B
OPERATING TEMPERATURE: -65 DEG C TO 165 DEG C
CORROSION: MIL-STD-202, METHOD 101, CONDITION B
SHOCK: MIL-STD-202, METHOD 213, CONDITION I
VIBRATION: MIL-STD-202, METHOD 204, CONDITION D



FOR QUOTATION ONLY
UNAPPROVED
THIS DRAWING TO BE INTERPRETED
PER ASME Y 14.5M - 1994
"µ STATION"
COMPANY CONFIDENTIAL

TOLERANCE UNLESS OTHERWISE SPECIFIED		DRAWN BY T.A.Kari	DATE 6-26-08	Connectivity Solutions P.O. Box 1732 Waseca, MN 56093 1-800-247-8256
DECIMALS	mm	CHECKED BY	DATE	
.XX				TITLE
.XXX		APPROVED BY	DATE	JACK ASSEMBLY
MATL		xx	xx	RA PC MOUNT, .155 LEGS QMA
FINISH		RELEASE DATE	xx	SHEET
		U/M	INCH	SCALE
			10:1	DRAWING NO. C - 146-0701-301/310
				2 OF 2