

4

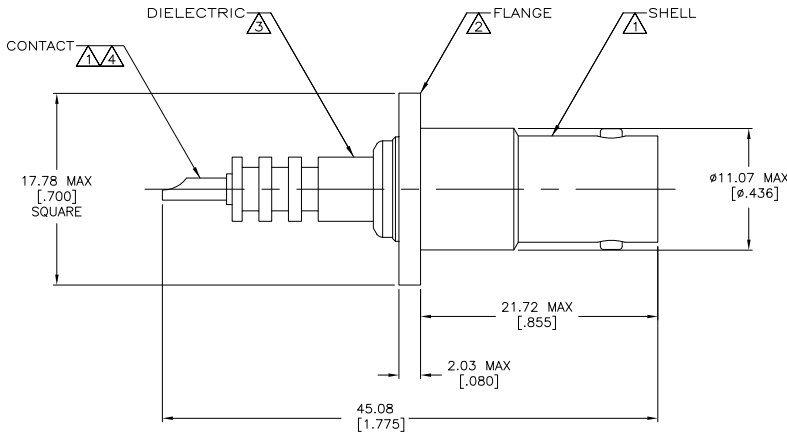
3

2

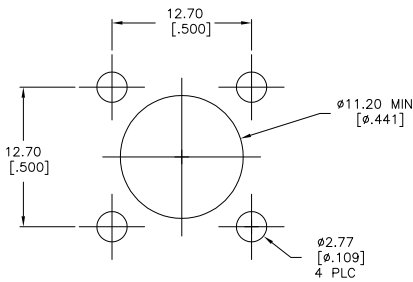
1

THIS DRAWING IS UNPUBLISHED. RELEASED FOR PUBLICATION  
 © COPYRIGHT BY TYCO ELECTRONICS CORPORATION. ALL RIGHTS RESERVED.

LOC	DIST	REVISIONS					
		F	LTR	DESCRIPTION	DATE	OWN	APP'D
AJ	16	K		REVISED PER ECO-06-002381	13MAR2006	REH	JL



- △ BRASS PER ASTM-B-16
- △ BRASS PER ASTM-B-36
- △ PTFE PER MIL-P-19468
- △ GOLD PLATE PER MIL-G-45204, 1.27µm [.000050] MIN THICKNESS
- △ NICKEL PLATE PER QQ-N-290, 2.54µm [.000100] MIN THICKNESS
- △ SILVER PLATE PER QQ-S-365, 2.54µm MIN THICKNESS
- 7. 4 HOLES IN FLANGE HAVE 3-56 UNF-2B THREAD



RECOMMENDED PANEL CUTOUT

SUPERSEDED BY 51421-2	△	△	51421-2
	△	△	51421-1
	FLANGE	SHELL	PART NUMBER
	FINISH		

THIS DRAWING IS A CONTROLLED DOCUMENT.		DRW	20/SEP/93	Tyco Electronics Corporation	
		DESIGN	21/SEP/93	Harrisburg, PA 17105-3608	
		CHK		Tyco Electronics	
		APP'D		NAME	
		PRODUCT SPEC		PANEL RECEPTACLE, SHV	
DIMENSIONS:		APPLICATION SPEC		SIZE	CAGE CODE
mm [INCHES]		WEIGHT		A2	00779
TOLERANCES UNLESS OTHERWISE SPECIFIED:		FINISH		C=	51421
0 PLC	±				
1 PLC	±				
2 PLC	±				
3 PLC	± 0.10 (.004)				
4 PLC	±				
ANGLES	±				
MATERIAL					
CUSTOMER DRAWING		SCALE	4:1	SHEET	1 of 1
				REV	K