

4

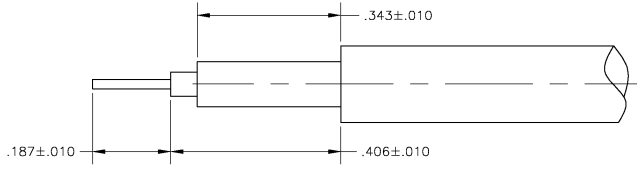
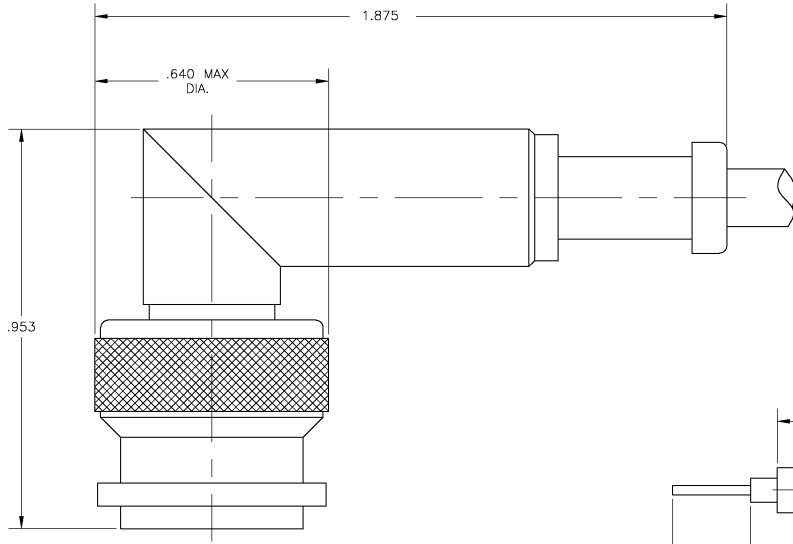
3

2

1

THIS DRAWING IS UNPUBLISHED. RELEASED FOR PUBLICATION
 © COPYRIGHT BY TYCO ELECTRONICS CORPORATION. ALL RIGHTS RESERVED.

LOC	DIST	REVISIONS			
P	LTR	DESCRIPTION	DATE	BY	APPD
A		RDW & REV PR 0514-0192-04	12-14-04	JDP	JL



1. I.S.: 2299-5.
2. FOR USE WITH CABLE SIZE: RG-58A/U & 58C/U.
3. HAND TOOL NO.: 220045-2.

QTY.	PART NUMBER	DESCRIPTION	ITEM #
1	225592-1	SEAL	4
1	9-225580-1	FERRULE	3
1	225471-1	CONTACT	2
1	5-225518-0	PLUG ASSEMBLY	1
-2			

THIS DRAWING IS A CONTROLLED DOCUMENT.

DM	J. POLIGNONE	12-14-04
CHK	J. LIPPERT	12-14-04
APPD	J. LIPPERT	12-14-04

DIMENSIONS: INCHES
 DIMENSIONS UNLESS OTHERWISE SPECIFIED:
 0 DEC ± .005
 1 DEC ± .005
 2 DEC ± .005
 3 DEC ± .005
 4 DEC ± .005
 ANGLES ± .5°

MATERIAL: FINISH: -
 WEIGHT: -
 CUSTOMER DRAWING

DWG: POLIGNONE 12-14-04
 CHK: LIPPERT 12-14-04
 APPD: LIPPERT 12-14-04
 PROJECT SPEC: -
 APPLICATION SPEC: -
 WEIGHT: -
 CUSTOMER DRAWING

Tyco Electronics
 Tyco Electronics Corporation
 Harrisburg, Pa 17105-3608

CONNECTOR, COAX, R.F. SERIES
 TNC DUAL CRIMP, RIGHT ANGLE PLUG,
 WEATHER PROOF

SHEET: A2 CASE CODE: 00779 DRAWING NO: 225559-2 RESTRICTED TO: -
 SCALE: 6:1 SHEET: 1 OF 1 REV: A

225559-2