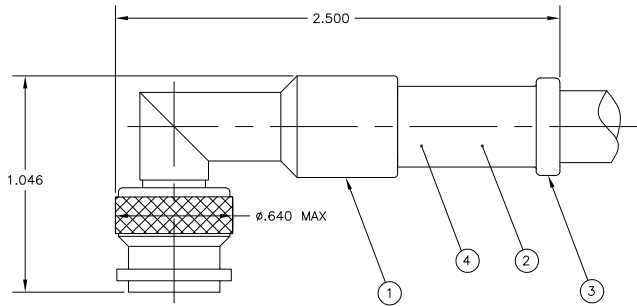


THIS DRAWING IS UNPUBLISHED. RELEASED FOR PUBLICATION
 © COPYRIGHT BY TYCO ELECTRONICS CORPORATION. ALL RIGHTS RESERVED.

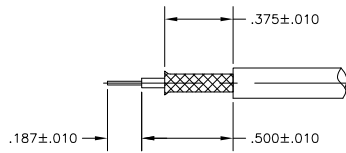
LOC		DIST		REVISIONS			
AJ	16	P	LTR	DESCRIPTION	DATE	BY	APP'D
		O		RELEASED PER DS14-0496-04.	14FEB2005	JGH	JL

1. INSTRUCTION SHEET: 408-2299-5.

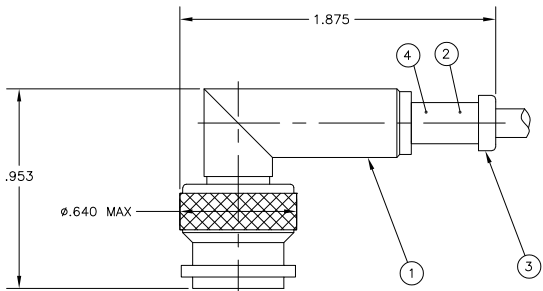


ASSEMBLED VIEW

VIEW Y

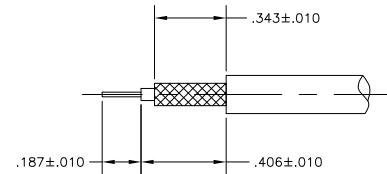


RECOMMENDED STRIP LENGTH



ASSEMBLED VIEW

VIEW X



RECOMMENDED STRIP LENGTH

RG 8/U & 213/U	220015-1	Y	332022	9-331987-0	225599-1	5-225518-2	5225559-8
RG 58A/U & 58C/U	220045-2	X	225592-1	9-225560-1	225471-1	5-225518-0	5225559-2
CABLE	HAND TOOL	VIEW	④ SEAL QTY: 1	③ FERRULE QTY: 1	② CONTACT QTY: 1	① PLUG ASSEMBLY QTY: 1	PART NUMBER

THIS DRAWING IS A CONTROLLED DOCUMENT.		DIM J. HAVENER 07FER2005 OK J. HAVENER 14FER2005 APD J. LIPPERT 14FER2005	Tyco Electronics Corporation Harrisburg, Pa 17105-3608 Tyco Electronics
DIMENSIONS: INCHES 0 PLG # - 1 PLG # - 2 PLG # - 3 PLG # - 4 PLG # - ANGLES # - MATERIAL FINISH	DIMENSIONS: INCHES 0 PLG # - 1 PLG # - 2 PLG # - 3 PLG # - 4 PLG # - ANGLES # - MATERIAL FINISH	APPLICATION SPEC WEIGHT SIZE CASE CODE DRAWING NO. A2 00779 C-5225559	RESTRICTED TO CUSTOMER DRAWING SCALE 3:1 SHEET 1 OF 1 REV 0