

4

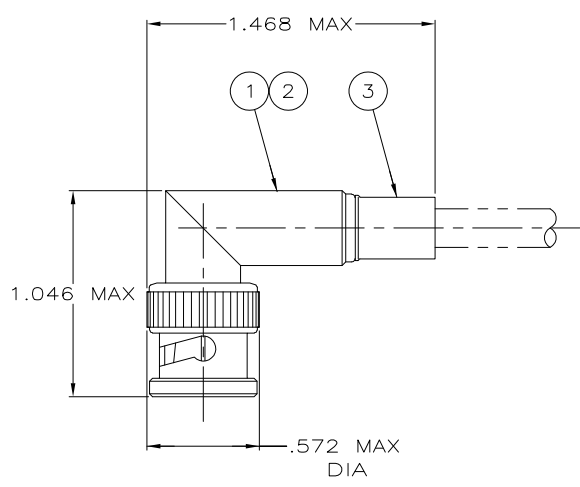
3

2

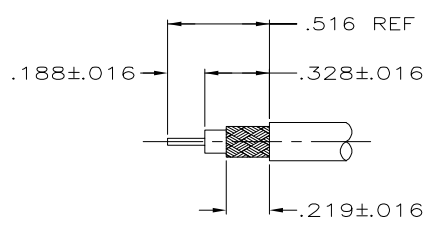
1

THIS DRAWING IS UNPUBLISHED. RELEASED FOR PUBLICATION
 © COPYRIGHT - BY TYCO ELECTRONICS CORPORATION. ALL RIGHTS RESERVED.

LOC	DIST	REVISIONS			
P	LTR	DESCRIPTION	DATE	DWN	APVD
AJ	16	REVISED PER EC OS14-0158-05	27JULY05	BM	JL



1. USE HAND TOOL 69478-1.
2. SEE INSTRUCTION SHEET 408-1914-5.



RECOMMENDED STRIP LENGTH

RG 142/U, 142A/U, & 142B/U	9-225382-1	1-331369-2	225975-1	5225973-4
RG 58/U, 58A/U, 58B/U, & 58C/U	9-225381-1	331369	225975-1	5225973-1
CABLE	③ FERRULE QTY=1	② CONTACT QTY=1	① PLUG ASSY QTY=1	PART NUMBER

THIS DRAWING IS A CONTROLLED DOCUMENT.		DWN J. HAVENER 27JUL2005	Tyco Electronics Corporation Harrisburg, Pa 17105-3608	
DIMENSIONS: INCHES	TOLERANCES UNLESS OTHERWISE SPECIFIED:	CHK J. HAVENER 27JUL2005	NAME	
0 PLC ± -	1 PLC ± -	APVD J. LIPPERT 27JUL2005	PLUG, RIGHT ANGLE, DUAL CRIMP, BNC	
2 PLC ± -	3 PLC ± -	PRODUCT SPEC 108-12020	RESTRICTED TO	
4 PLC ± -	ANGLES ± -	APPLICATION SPEC	SIZE A3	CAGE CODE 00779
MATERIAL	FINISH	WEIGHT	DRAWING NO C=5225973	REV A
-	-	-	CUSTOMER DRAWING	