

4

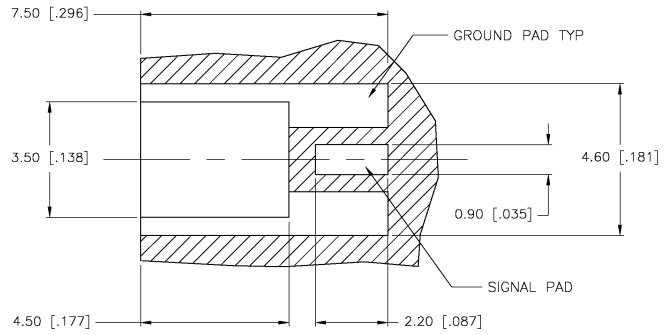
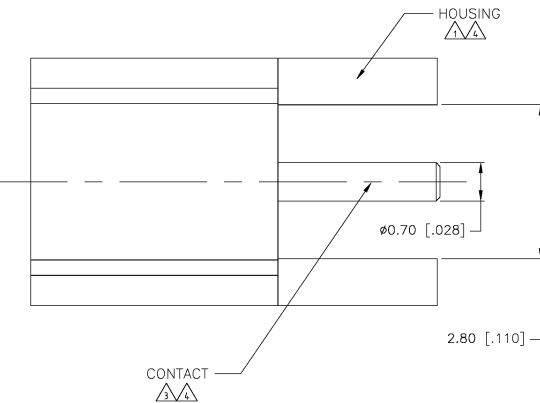
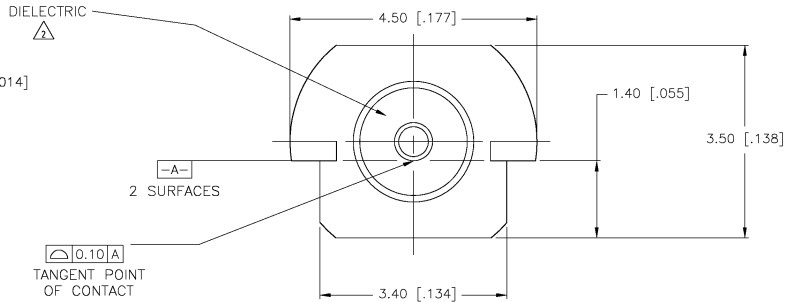
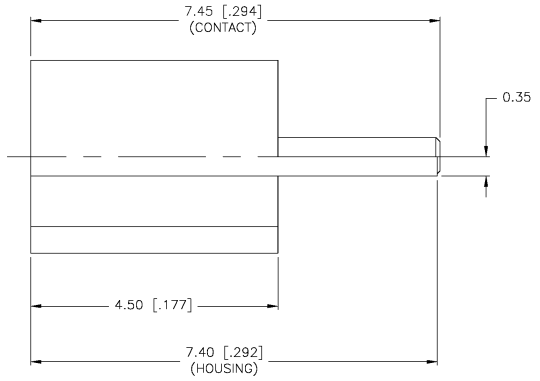
3

2

1

THIS DRAWING IS UNPUBLISHED. RELEASED FOR PUBLICATION
 © COPYRIGHT BY TYCO ELECTRONICS CORPORATION. ALL RIGHTS RESERVED.

LOC		REVISIONS					
AJ	---	P	LTR	DESCRIPTION	DATE	OWN	APP'D
E	REV PER	OS14-0397-03			11SEP03	KW	KW



SOLDER PAD CONFIGURATION ONLY
 (SCALE 12:1)

ON REEL (SEE SHEET 2)	1408152-2
STANDARD	1408152-1
PACKAGING	PART NUMBER

- △ BRASS PER ASTM-B-16
- △ PTFE PER ASTM-D-1710
- △ BERYLLIUM COPPER PER ASTM-B-196
- △ GOLD PLATE PER MIL-C-45204

THIS DRAWING IS A CONTROLLED DOCUMENT.		DRW: 29NOV2001	Tyco Electronics Corporation Middletown, PA 17057
DIMENSIONS: MM		CHK: 29NOV01	
0 P.L.C. ± -- 1 P.L.C. ± -- 2 P.L.C. ± 0.15 (0.06) 3 P.L.C. ± -- 4 P.L.C. ± -- ANGLES ± 1°		APP'D: RME	PRODUCT SPEC: 108-2084 APPLICATION SPEC:
MATERIAL: --	FINISH: --	WEIGHT: 0.20g/007oz	SEE CASE CODE DRAWING NO: A2 00779 ©=1408152 CUSTOMER DRAWING SCALE: 20:1 SHEET 1 OF 2 REV E

1408152

A

4

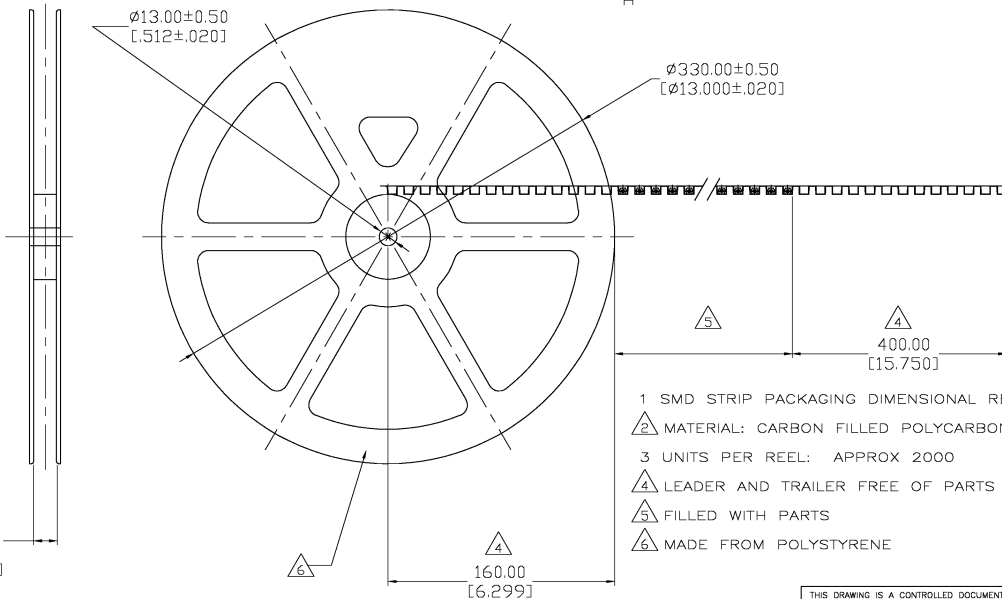
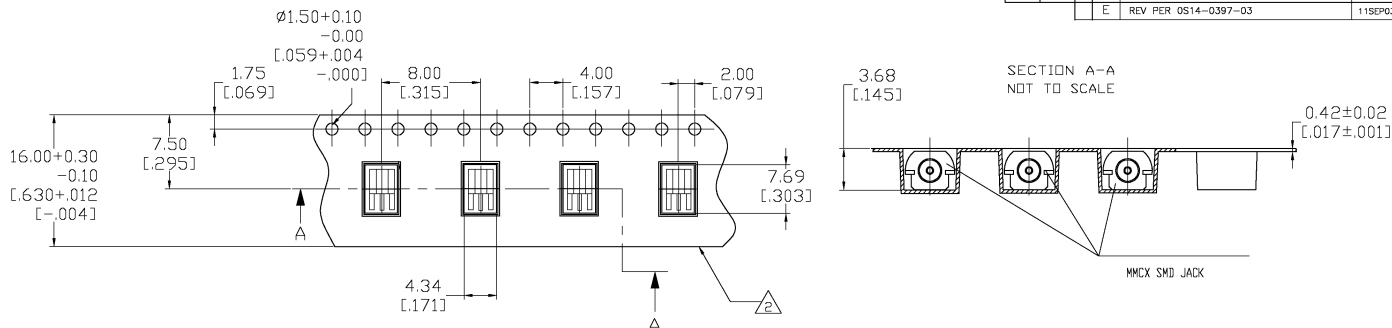
3

2

1

THIS DRAWING IS UNPUBLISHED. RELEASED FOR PUBLICATION
 © COPYRIGHT BY TYCO ELECTRONICS CORPORATION. ALL RIGHTS RESERVED.

LOC		REVISIONS			
P	LTR	DESCRIPTION	DATE	OWN	APP'D
E		REV PER QS14-0397-03	11SEP03	KW	KW



- 1 SMD STRIP PACKAGING DIMENSIONAL REQUIREMENTS PER EIA 481-1, -2 AND -3
- 2 MATERIAL: CARBON FILLED POLYCARBONATE, ELECTROSTATIC PROTECTIVE
- 3 UNITS PER REEL: APPROX 2000
- 4 LEADER AND TRAILER FREE OF PARTS BUT SEALED WITH COVER TAPE
- 5 FILLED WITH PARTS
- 6 MADE FROM POLYSTYRENE

THIS DRAWING IS A CONTROLLED DOCUMENT.		DRW	2411.02	 Tyco Electronics Corporation Middletown, PA 17057	MMCX JACK, SMT EDGE LAUNCH
DIMENSIONS:		RMF	2411.02		
MM		APD	2411.02		
0 P.L.C. ± - 1 P.L.C. ± - 2 P.L.C. ± 0.10 (0.04) 3 P.L.C. ± - 4 P.L.C. ± - S ANGLES ± S		NAME			
MATERIAL	FINISH	PRODUCT SPEC		SEE CASE CODE DRAWING NO	RESTRICTED TO
		APPLICATION SPEC		A2 00779 © 1408152	
		WEIGHT		CUSTOMER DRAWING	SCALE NTS SHEET 2 OF 2 REV E

1408152

A