

4

3

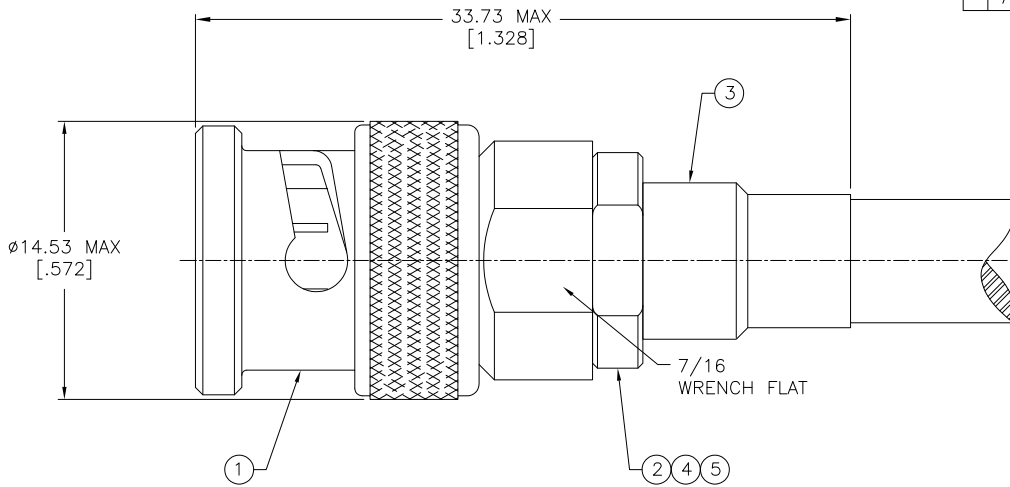
2

1

THIS DRAWING IS UNPUBLISHED. RELEASED FOR PUBLICATION
 © COPYRIGHT - BY TYCO ELECTRONICS CORPORATION. ALL RIGHTS RESERVED.

LOC DIST
 AJ 00

REVISIONS						
P	LTR	DESCRIPTION	DATE	DWN	APVD	
A		REV PER ECO 06-02539	07APR06	GB	JH	
A1		REVISED PER ECO-09-024717	04NOV09	KK	AEG	



1. USE PRO-CRIMPER 354940-1 WITH DIE SET 91909-1.
2. SEE INSTRUCTION SHEET 408-2055.
3. PARTS PACKAGED UNASSEMBLED.
4. OBSOLETE PARTS: OBSOLETE CIS STREAMLINING PER D.RENAUD/D.SINISI

4	OBSOLETE	ROLM 49D2401 TWINAX	332214	332222-1	9-332224-0	1-332221-5	5-330949-0	5332225-6
		RG 108/U & 108A/U	332214	332222-1	9-332224-0	1-332221-4	5-330949-0	5332225-5
4	OBSOLETE	TROMPETER TWC-124-2	332214	332222	9-332224-1	1-332221-3	2-330949-2	5332225-3
		RG 108/U & 108A/U	332214	332222	9-332224-1	332221	2-330949-2	5332225
		FOR USE WITH CABLE	5 SEAL QTY=1	4 DIELECTRIC QTY=1	3 FERRULE QTY=1	2 CRIMP END QTY=1	1 PLUG ASSY QTY=1	PART NO.

THIS DRAWING IS A CONTROLLED DOCUMENT.

DIMENSIONS: mm [INCHES]		TOLERANCES UNLESS OTHERWISE SPECIFIED:		DWN L. VARELA - DOCKS 21APR2005		Tyco Electronics		Tyco Electronics Corporation Harrisburg, PA 17105-3608	
0 PLC ± -		1 PLC ± -		CHK J. HAVENER 21APR2005		NAME		PLUG, TWIN BNC	
1 PLC ± -		2 PLC ± -		APVD J. LIPPERT 21APR2005		SIZE		RESTRICTED TO	
2 PLC ± -		3 PLC ± -		PRODUCT SPEC		CAGE CODE		DRAWING NO	
3 PLC ± -		4 PLC ± -		APPLICATION SPEC		WEIGHT		0.50 OZ.	
4 PLC ± -		ANGLES ± 1°		MATERIAL		A3		00779	
FINISH		-		CUSTOMER DRAWING		C=5332225		SCALE 5:1	
						SHEET		1 OF 1	
						REV		A1	

AMP 1470-19 REV 31MAR2000