

4

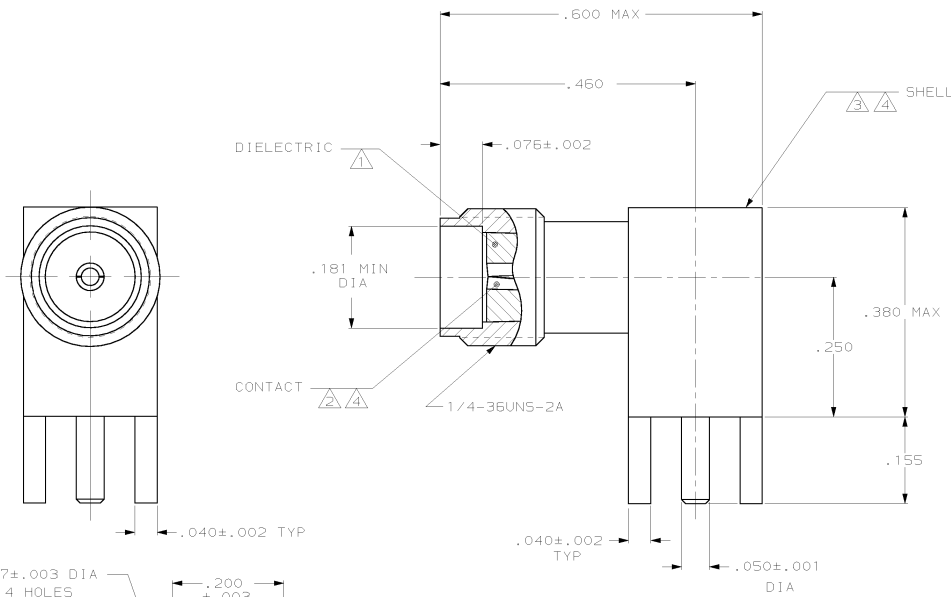
3

2

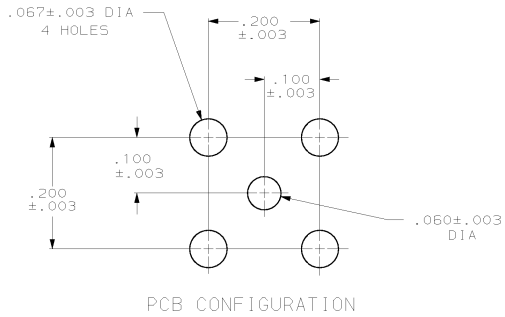
1

THIS DRAWING IS UNPUBLISHED. RELEASED FOR PUBLICATION
 (C) COPYRIGHT 19 BY AMP INCORPORATED. ALL RIGHTS RESERVED.

LOC	QTY	REV	DESCRIPTION	DATE	DWN	APPD
AJ	16	A	REDRAWN & REVISED PER AJ-3065 & PR 87-3494-005	-	-	-
		B	REV PER OE10-0163-99	11MAY99	MD	JC



- ① PTFE PER ASTM-D-1710
- ② BERYLLIUM COPPER PER ASTM-B-197
- ③ STAINLESS STEEL PER ASTM-A-582
- ④ GOLD PL PER MIL-G-45204



221790-1
 PART NUMBER

THIS DRAWING IS A CONTROLLED DOCUMENT		DATE	BY	DESIGNED BY	AMP Incorporated Harrisburg, PA 17105-3608
DRAWN BY		CHKD BY	APPD BY	NAME	
DIMENSIONS		PRODUCT SPEC		APPLICATION SPEC	RESTRICTED TO
MATERIAL		FINISH		HEIGHT	SCALE
1/4-36UNS-2A		①②③④		-	8:1
SMA		SMA		221790	SHEET 1 OF 1
SMA		SMA		221790	REV B