

4

3

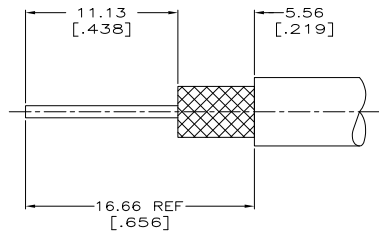
2

1

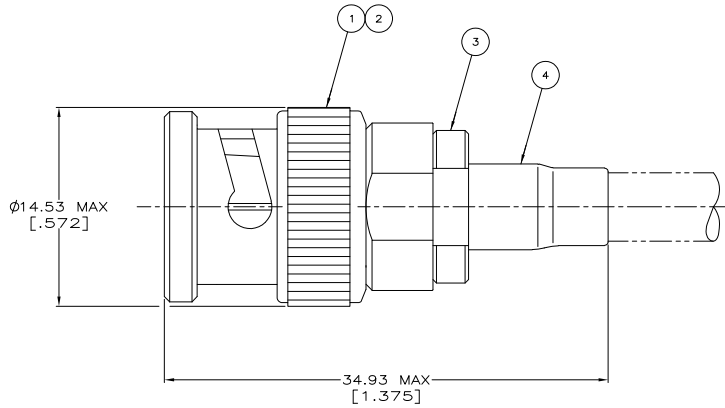
THIS DRAWING IS UNPUBLISHED. RELEASED FOR PUBLICATION  
 © COPYRIGHT BY TYCO ELECTRONICS CORPORATION. ALL RIGHTS RESERVED.

LOC	DIST	REVISIONS			
P	LTR	DESCRIPTION	DATE	BY	APPD
AJ	16				
		REV PER EC-DS14-0496-04	03FEB2005	AF	JL

1. CRIMP TOOL: 69140-1
2. WEIGHT: .412 OZ
3. SEE I.S. 1799-1



RECOMMENDED STRIP LENGTH



CABLE SIZE	9-328663-0	9-50780-5	2-329106-1	9-329327-1	2-5329082-1
	④ FERRULE QTY=1	③ CRIMP END ASSEMBLY QTY=1	② GASKET QTY=1	① PLUG ASSEMBLY QTY=1	PART NUMBER

THIS DRAWING IS A CONTROLLED DOCUMENT.		DWN FERNANDEZ-DOCKIS OK J HAVENER J L LIPPERT PRODUCT SPEC	Tyco Electronics Corporation Harrisburg, PA 17105-3608
DIMENSIONS: INCHES 0 PLC ± .010 1 PLC ± .010 2 PLC ± .010 3 PLC ± .010 4. PLG ANGLES ± .010	APPLICATION SPEC WEIGHT FINISH	SIZE CASE CODE DRAWING NO	RESTRICTED TO
MATERIAL		A2 00779	PLUG, SERIES BNC SCALE: 5:1 SHEET 1 OF 1 REV 0

5329082