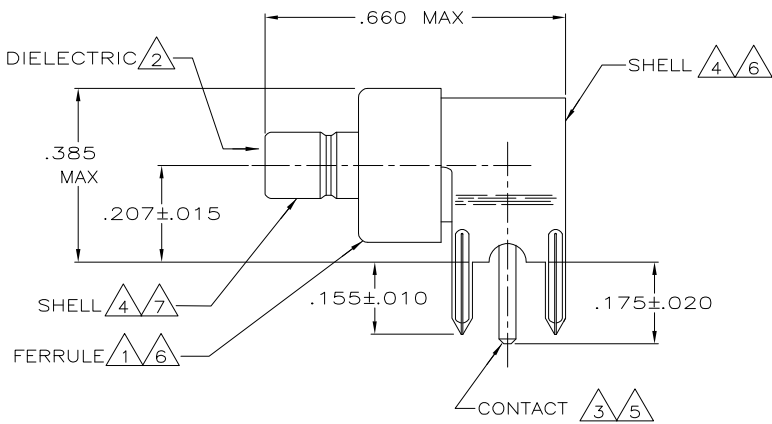
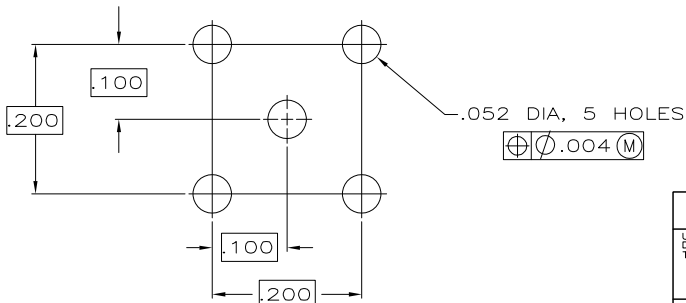


DRAWING MADE IN THIRD ANGLE PROJECTION
 THIS DRAWING IS UNPUBLISHED. RELEASED FOR PUBLICATION .19
 © COPYRIGHT 19 BY AMP INCORPORATED, HARRISBURG, PA. ALL INTERNATIONAL RIGHTS RESERVED. AMP PRODUCTS MAY BE COVERED BY U.S. AND FOREIGN PATENTS AND/OR PATENTS PENDING.

MOD	LOC	DIST	P	F	ZONE	LTR	DESCRIPTION	DATE	APPROVED
13	AJ	16				B	REVISED PER AJ-1969.	7-1-86	DH
						C	REV'D PER OS14-0380-04.	14SEP04	JGH



- 1 COPPER PER ASTM B 152.
- 2 POLYPROPYLENE, GENERAL PURPOSE.
- 3 BRASS PER ASTM B 16.
- 4 BRASS PER ASTM B 36.
- 5 GOLD PLATE PER ASTM B 488.
- 6 TIN PLATE PER ASTM B 545.
- 7 NICKEL PLATE PER QQ-N-290.
- 8. BOARD THICKNESS: .125 MAX.



REQUIRED PCB HOLE CONFIGURATION
 SCALE 8:1

UNLESS OTHERWISE SPECIFIED DIMENSIONS ARE IN INCHES		DR J. HAVENER 14SEP2004	228435-1	
TOLERANCES ON: 2 PL DEC ± 3 PL DEC ± ANGLES ± .002		CHK J. HAVENER 14SEP2004	PART NO	
MATERIAL 1 THRU 4		APPD J. HAVENER 14SEP2004	AMP INCORPORATED Harrisburg, Pa. 17105	
FINISH 5 6 7		PRODUCT SPEC	NAME JACK, RIGHT ANGLE, PCB, COMMERCIAL SMB	
APPLICATION SPEC		SIZE B	FSCM NO 00779	DRAWING NO 228435-1
WEIGHT		SCALE 5:1	SHEET 1 OF 1	

AMP 1470-15 REV 10-84 Translated 040914.094846 (YYMMDD.HHMMSS) from
 Computervision, Inc., Mfg. Dept. Revision 12-2-83
 16 DEC 1992 09:28:48 AMP32950

CUSTOMER DRAWING