

4

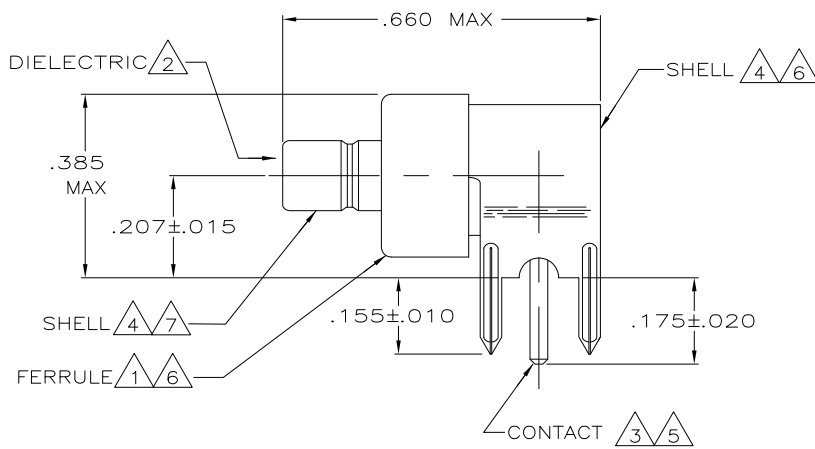
3

2

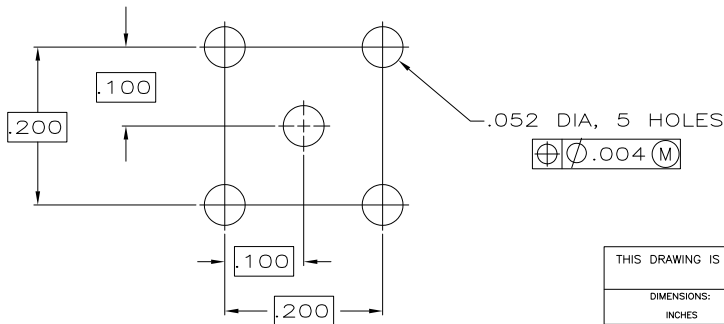
1

THIS DRAWING IS UNPUBLISHED. RELEASED FOR PUBLICATION
 © COPYRIGHT - BY TYCO ELECTRONICS CORPORATION. ALL RIGHTS RESERVED.

LOC	DIST	REVISIONS			
P	LTR	DESCRIPTION	DATE	DWN	APVD
AJ	16	A	REVISED PER ECO-10-009236	05MAY10	HMR KW



- 1 COPPER ALLOY
- 2 POLYPROPYLENE, GENERAL PURPOSE.
- 3 BRASS PER ASTM B 16.
- 4 BRASS PER ASTM B 36.
- 5 GOLD PLATE PER ASTM B 488.
- 6 TIN PLATE PER ASTM B 545.
- 7 NICKEL PLATE PER QQ-N-290.
- 8. BOARD THICKNESS: .125 MAX.



REQUIRED PCB HOLE
 CONFIGURATION
 SCALE 8:1

5228435-1
 PART NUMBER

THIS DRAWING IS A CONTROLLED DOCUMENT.		DWN J. HAVENER 05FEB2005	Tyco Electronics Corporation Harrisburg, Pa 17105-3608	
DIMENSIONS: INCHES		CHK J. HAVENER 09FEB2005	Tyco Electronics	
TOLERANCES UNLESS OTHERWISE SPECIFIED:		APVD J. HAVENER 09FEB2005	NAME JACK, RIGHT ANGLE, PCB, COMMERCIAL SMB	
0 PLC ± -		PRODUCT SPEC	SIZE A3	
1 PLC ± -		APPLICATION SPEC	CAGE CODE 00779	DRAWING NO 5228435
2 PLC ± -		WEIGHT	RESTRICTED TO	
3 PLC ± .002			-	
4 PLC ± -			-	
ANGLES ± -			-	
MATERIAL 1 THRU 4	FINISH 5 6 7	CUSTOMER DRAWING	SCALE 5:1	SHEET 1 OF 1