

4

3

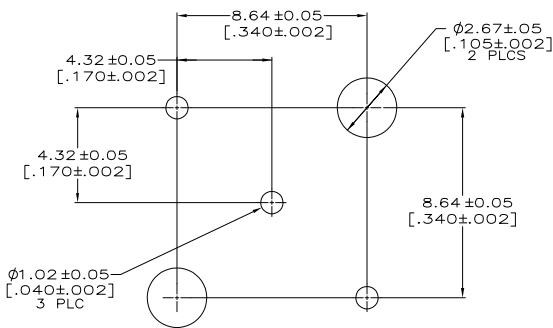
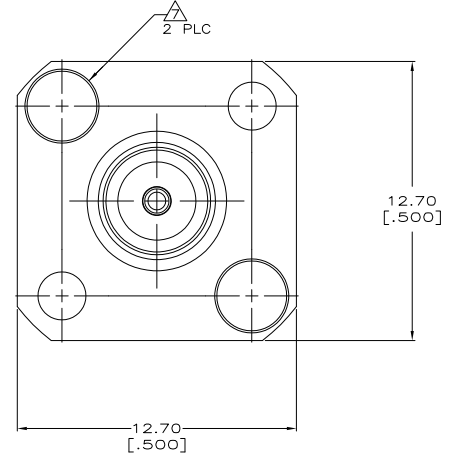
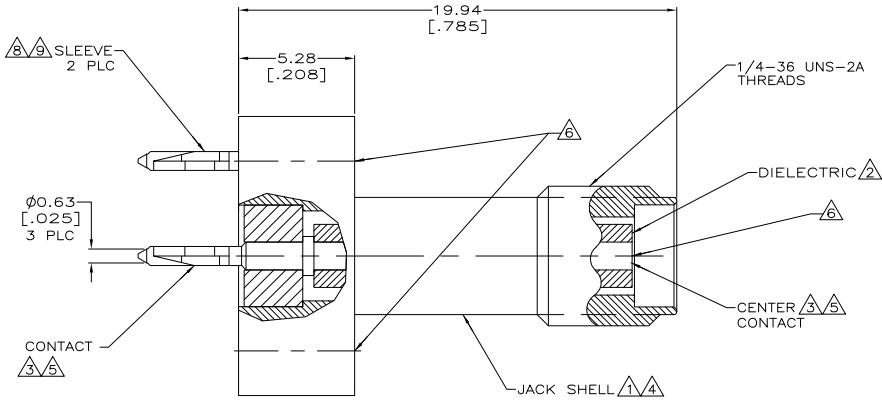
2

1

THIS DRAWING IS UNPUBLISHED. RELEASED FOR PUBLICATION
 COPYRIGHT BY TYCO ELECTRONICS CORPORATION. ALL RIGHTS RESERVED.

LOC	DIST	REVISIONS					
		F	LTR	DESCRIPTION	DATE	DWN	APD
AJ	16	O		REV PER EC 0514-0496-04	02FEB2005	LV	KW

- △ BRASS PER ASTM-B-16.
- △ TEFLON PER ASTM-D-1710.
- △ BERYLLIUM COPPER PER ASTM-B-196.
- △ NICKEL PLATE PER QQ-N-290.
- △ GOLD PLATE PER ASTM-B-488.
- △ APPLY FORCE IN THESE AREAS TO ASSEMBLE CONNECTOR INTO PC BOARD.
- △ 2-56 UNC-2B.
- △ PHOS BRONZE PER ASTM-B-139.
- △ TIN PLATE PER ASTM-B-545.



RECOMMENDED PCB CONFIGURATION

6274096-1
 PART NUMBER

THIS DRAWING IS A CONTROLLED DOCUMENT.		DWN L VARELA - 02FEB2005	Tyco Electronics Corporation Harrisburg, Pa 17105-3608
DIMENSIONS: mm [INCHES]		CHK J HAVENER - 02FEB2005	
TOLERANCES UNLESS OTHERWISE SPECIFIED:		APPC D. CAMELIO - 02FEB2005	NAME JACK, ACTION PIN, PCB, SMA
0 PLC ± -	1 PLC ± -	APPLICATION SPEC: -	SIZE CASE CODE DRAWING NO: -
2 PLC ± 0.13 [0.05]	3 PLC ± -	WEIGHT: -	A2 00779 C=6274096
4 PLC ± -	ANGLES ± -	MATERIAL △△△	RESTRICTED TO: -
FINISH △△△		CUSTOMER DRAWING	SCALE: 1:1 SHEET 1 OF 1 REV 0

AMP 1471-9 REV 31MM2000

6274096

A