

4

3

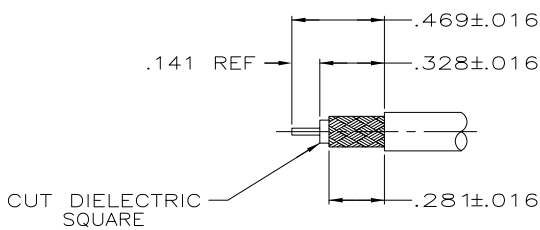
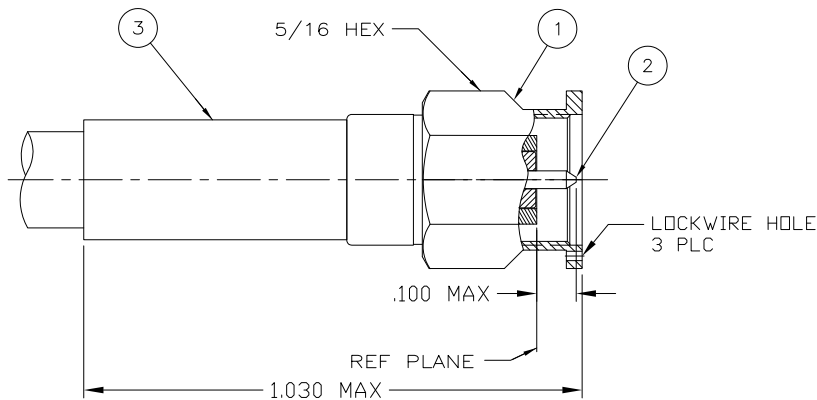
2

1

THIS DRAWING IS UNPUBLISHED. RELEASED FOR PUBLICATION
 © COPYRIGHT BY TYCO ELECTRONICS CORPORATION. ALL INTERNATIONAL RIGHTS RESERVED.

LOC		DIST		REVISIONS			
P	LTR	DESCRIPTION		DATE	DWN	APVD	
G		REV PER ECO 11-002303		2-2-11	CT	DW	

- FOR USE WITH: RG-142/U, 142A/U & 142B/U CABLE
- CRIMP WITH TOOL: 220061-1
- SEE I.S. 2322
- 00779 M39012/55B3022



RECOMMENDED STRIP LENGTH
 SCALE: 2:1

1	225618-3	FERRULE	3
1	225540-2	CONTACT	2
1	225533-1	PLUG ASSEMBLY	1
QTY	PART NUMBER	DESCRIPTION	ITEM

THIS DRAWING IS A CONTROLLED DOCUMENT.		DWN L.A.MOSCOSO 8-17-88	Tyco Electronics Corporation Harrisburg, PA 17105-3608	
DIMENSIONS: INCHES		CHK M.SNEED 9-12-88	NAME PLUG, SERIES SMA	
TOLERANCES UNLESS OTHERWISE SPECIFIED:		APVD	RESTRICTED TO	
0 PLC ± -	1 PLC ± -	PRODUCT SPEC	SIZE CAGE CODE DRAWING NO	
2 PLC ± -	3 PLC ± -	APPLICATION SPEC	A3 00779 C-225532-3	
4 PLC ± -	ANGLES ± -	WEIGHT .134 OZ	CUSTOMER DRAWING	
MATERIAL	FINISH	SCALE 5:1		SHEET 1 OF 1 REV G

1470-19 (1/08)

us016412

H:\docmod\225532-3_1_c.dwg

02FEB2011