

DRAWING MADE IN AMERICAN PROJECTION

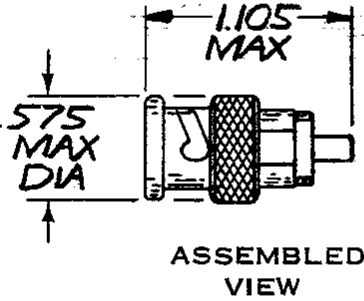
LOC AJ 16 PRINT DIST E

© 1962 BY AMP INCORPORATED. ALL RIGHTS RESERVED. AMP PRODUCTS COVERED BY PATENTS AND/OR PATENTS PENDING.

REVISIONS

LTR	DESCRIPTION	DATE	APPROVED
D	REDRAWN AND REVISED	RF9-244 11-11-70	CEK
E	INACTIVATED	C74-20 7-10-74	CEK

329446



FOR USE WITH RG-161/U, 179/U, & 187/U

TABLE OF CONTENTS

ITEM	QTY	DESCRIPTION	PART NO.
1	1	PLUG BODY	329804
2	1	SEAL	2-329106-1
3	1	CRIMP END ASS'Y	50780-5

INACTIVE
DATE 4/9/74 ECN C74-20

UNLESS OTHERWISE SPECIFIED DIMENSIONS ARE IN INCHES
TOLERANCES ON:
DECIMALS ± .010
ANGLES ± .5°

CONTRACT NO. _____
DR. *[Signature]* 11-5-70
APPD *[Signature]* 11-14-70



AMP INCORPORATED
HARRISBURG, PENNSYLVANIA

NAME
CONNECTOR, COAXIAL R.F.
SERIES BNC
PLUG

MATERIAL

REL *[Signature]* James 11-24-70

SIZE A CODE IDENT NO. 00779 NUMBER 329446

OTHER APPD

SCALE SHEET 1 OF 1