

4

3

2

1

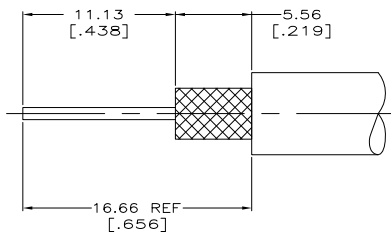
THIS DRAWING IS UNPUBLISHED. RELEASED FOR PUBLICATION
 BY TYCO ELECTRONICS CORPORATION. ALL RIGHTS RESERVED.

LOC	DIST	REVISIONS			
F	LTR	DESCRIPTION	DATE	BY	APP'D
AJ	16				
		REV PER EC-0514-0496-04	03FEB2005	AF	JL

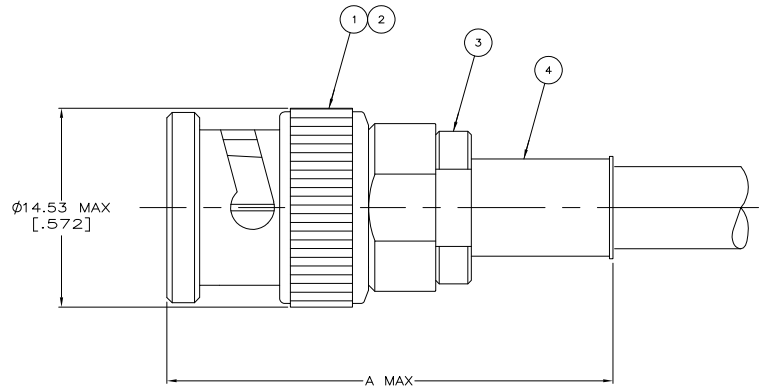
1. CRIMP TOOL: 69141-1

△ RG-59/U,59A/U,59B/U,62/U,62A/U,
62B/U,124/U,140/U AND 210/U

3. SEE I.S. 1799-1



RECOMMENDED
STRIP LENGTH



34.93	1.375	△	.416 OZ	9-329041-0	9-50780-6	2-329106-1	9-329327-1	2-5329083-1
A		CABLE	WEIGHT	④ FERRULE QTY=1	③ CRIMP END ASSEMBLY QTY=1	② GASKET QTY=1	① PLUG ASSEMBLY QTY=1	PART NUMBER

THIS DRAWING IS A CONTROLLED DOCUMENT.		BY: FERNANDEZ-DOCKIS	DATE: 03FEB2005	Tyco Electronics Corporation Harrisburg, PA 17105-3608
DRAWN BY: J. HAVENER		CHK: J. LIPPERT	DATE: 03FEB2005	
DIMENSIONS: MM [INCHES]		TOLERANCES UNLESS OTHERWISE SPECIFIED:		NAME: PLUG, SERIES BNC
Ø P.L.C.	± .01	Ø P.L.C.	± .01	APPLICATION SPEC: -
Ø P.L.C.	± .01	Ø P.L.C.	± .01	WEIGHT: -
Ø P.L.C.	± .01	Ø P.L.C.	± .01	SIZE: A2
Ø P.L.C.	± .01	Ø P.L.C.	± .01	CAGE CODE: 00779
Ø P.L.C.	± .01	Ø P.L.C.	± .01	DRAWING NO: C-5329083
Ø P.L.C.	± .01	Ø P.L.C.	± .01	RESTRICTED TO: -
Ø P.L.C.	± .01	Ø P.L.C.	± .01	SCALE: 5:1
Ø P.L.C.	± .01	Ø P.L.C.	± .01	SHEET: 1 OF 1
Ø P.L.C.	± .01	Ø P.L.C.	± .01	REV: 0
Ø P.L.C.	± .01	Ø P.L.C.	± .01	CUSTOMER DRAWING

AMP 1471-9 REV 31MM2000

5329083

A