

4

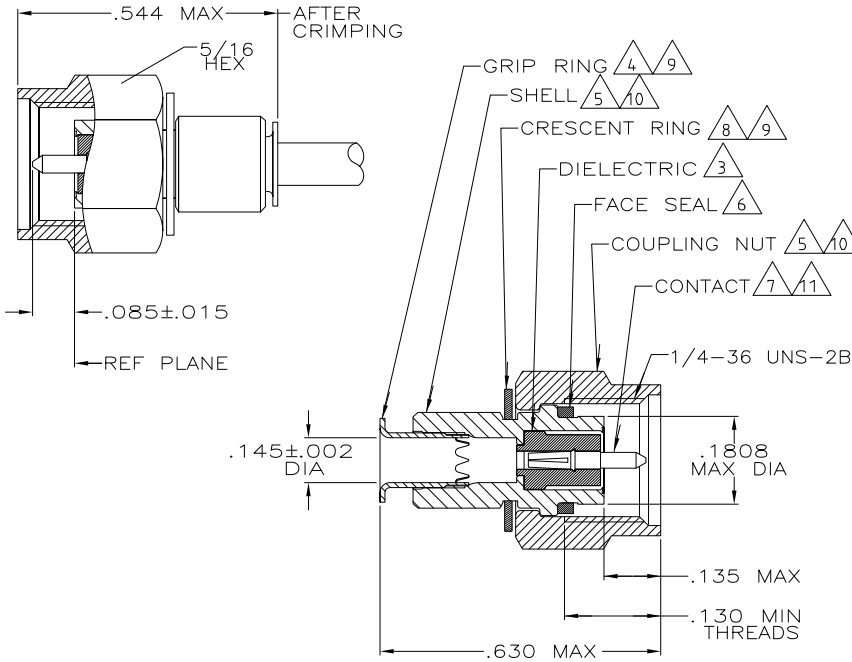
3

2

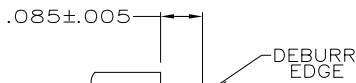
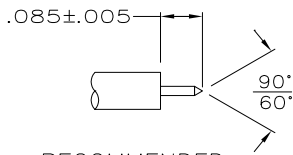
1

THIS DRAWING IS UNPUBLISHED. RELEASED FOR PUBLICATION
 © COPYRIGHT - By - ALL RIGHTS RESERVED.

LOC		DIST		REVISIONS			
P	LTR	DESCRIPTION		DATE	DWN	APVD	
	K1	REVISED PER ECO-11-005030		11MAR11	RK	HMR	



- FOR USE WITH: RG-402/U, .141 SEMI-RIGID CABLE
- SEE I.S. 6788
- PTFE PER ASTM D1710
- BRASS PER ASTM-B-36
- STAINLESS STEEL PER ASTM-A-582
- SILICONE RUBBER PER ZZ-R-765
- BERYLLIUM COPPER PER ASTM-B-197
- BERYLLIUM COPPER, ALLOY #25
- NICKEL PL PER QQ-N-290
- PASSIVATION PER ASTM A967
- GOLD PL PER MIL-G-45204
- 00779 M39012/79B3104
- .500 MIN LENGTH OF STRAIGHT CABLE REQUIRED TO APPLY THE CONNECTOR



RECOMMENDED STRIP LENGTH

OPTIONAL STRIP LENGTH

227743-1

PART NO

THIS DRAWING IS A CONTROLLED DOCUMENT.		DWN K. HEILIG 8-12-87	TE Connectivity PLUG, MIL-B, SERIES SMA	
DIMENSIONS: mm		CHK M. SNEED 8-12-87		
TOLERANCES UNLESS OTHERWISE SPECIFIED:		APVD M. WALMSLEY 8-12-87	NAME	
0 PLC ± -		PRODUCT SPEC	108-12055	
1 PLC ± -		APPLICATION SPEC	-	
2 PLC ± -		SIZE	A3	CAGE CODE
3 PLC ± -		WEIGHT	00779	DRAWING NO
4 PLC ± -		C-227743-1		RESTRICTED TO
ANGLES ± -		SCALE 5:1		SHEET 1 OF 1
MATERIAL FINISH		CUSTOMER DRAWING		REV K1
3 THRU 8	9 THRU 11			