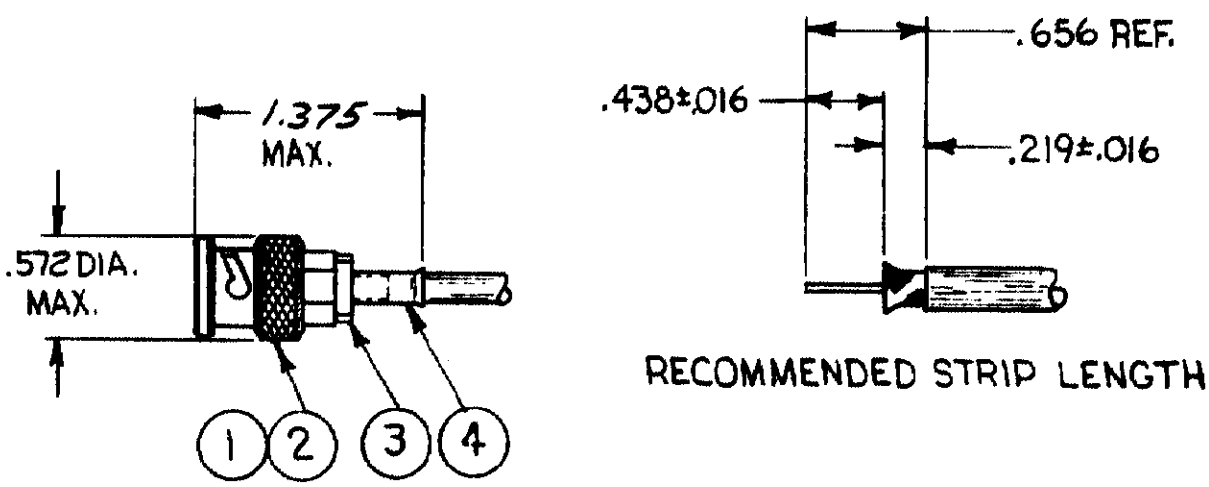


P		F		LTR		REVISIONS		DATE		APPROVED	
<input checked="" type="checkbox"/>		<input checked="" type="checkbox"/>		<input checked="" type="checkbox"/>	G	REV 1 REDWN	C82-516	5-25-83	24		

THIS DRAWING IS UNPUBLISHED. RELEASED FOR PUBLICATION MAY 25, 1983.
 BY AMP INCORPORATED, HARRISBURG, PA. ALL INTERNATIONAL RIGHTS RESERVED. AMP PRODUCTS MAY BE COVERED BY U.S. AND FOREIGN PATENTS AND/OR PATENTS PENDING.



1. FOR USE WITH: RG-178/U + 196/U CABLE
2. USE CRIMPING TOOL: 69245-4.
3. SEE I.S. 1799-1
4. WEIGHT: .451 OZ.

ITEM	QTY.	DESCRIPTION	PART NO
4	1	FERRULE	328667
3	1	CRIMP END ASSY	1-50780-4
2	1	GASKET	2-329106-1
1	1	PLUG ASSY	329804

UNLESS OTHERWISE SPECIFIED DIMENSIONS ARE IN INCHES. TOLERANCES ON: DECIMALS ± # ANGLES ± #

MATERIAL _____

FINISH _____

CONTRACT NO _____

DR *[Signature]* 5-25-83

CHK *[Signature]* 9/12/83

APPD *[Signature]* 11/21/83

APPD *[Signature]* 1/21/84

DSGN APPD _____

OTHER APPD _____

AMP | AMP INCORPORATED
Harrisburg, Pa. 17105

NAME **CONNECTOR, COAXIAL, R.F., PLUG, SERIES BNC**

SIZE A	FSCM NO 00779	DRAWING NO 330876
---------------	----------------------	--------------------------

SCALE **NTS** SHEET _____