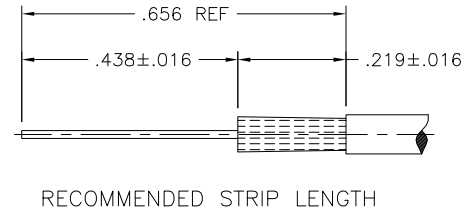
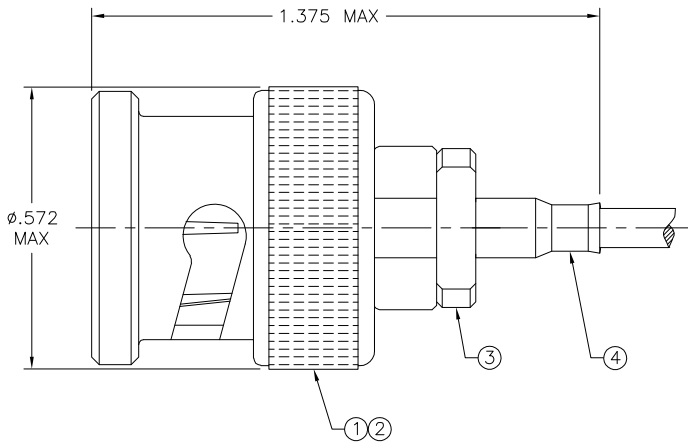


THIS DRAWING IS UNPUBLISHED. RELEASED FOR PUBLICATION
 © COPYRIGHT - BY TYCO ELECTRONICS CORPORATION. ALL RIGHTS RESERVED.

LOC		DIST		REVISIONS			
P	LTR	DESCRIPTION		DATE	DWN	APVD	
AJ	16	A		REV PER ECO 06-002539	06APR06	GB	JH

1. FOR USE WITH: RG-161/U, 179/U & 187/U CABLE.
2. USE CRIMPING TOOL: PROCRIMPER II 354940-1 WITH DIE SET 91910-1.
3. SEE INSTRUCTION SHEET 408-1799-1.



9-328666-3	9-50780-2	2-329106-1	9-329804-0	2-5329446-1
④ FERRULE QTY=1	③ CRIMP AND ASSY QTY=1	② GASKET QTY=1	① PLUG ASSEMBLY QTY=1	PART NUMBER
THIS DRAWING IS A CONTROLLED DOCUMENT.		DWN B. MCMASTER 10DEC05	Tyco Electronics Corporation Harrisburg, PA 17105-3608	
DIMENSIONS: INCHES		CHK J. LIPPERT 10DEC05	NAME Tyco Electronics	
TOLERANCES UNLESS OTHERWISE SPECIFIED:		APVD J. LIPPERT 10DEC05	PRODUCT SPEC	
0 PLC ± -		APPLICATION SPEC		
1 PLC ± -		SIZE		
2 PLC ± -		CAGE CODE		
3 PLC ± -		DRAWING NO		
4 PLC ± -		RESTRICTED TO		
ANGLES ± -		A3 00779 C-5329446		
MATERIAL	FINISH	WEIGHT		SCALE
-	-	-		5:1
CUSTOMER DRAWING			SHEET	REV
			1 OF 1	A