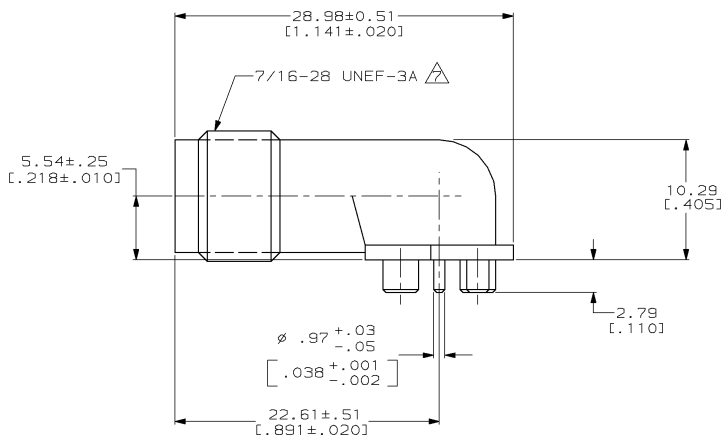
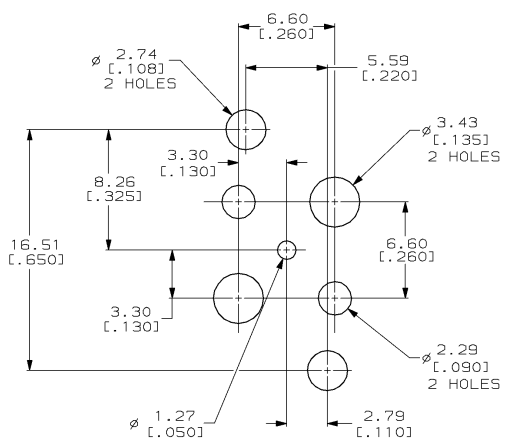
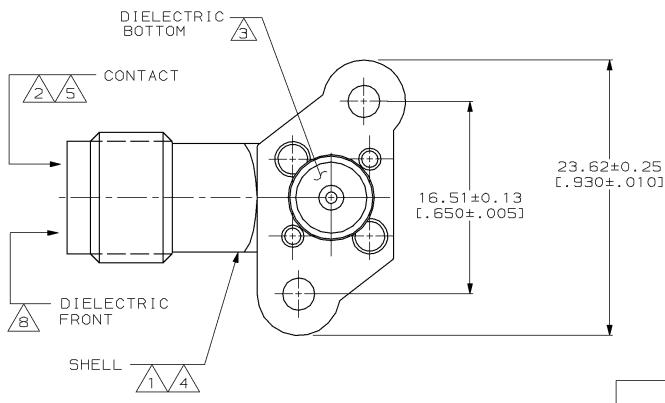


DRAWING MADE IN THIRD ANGLE PROJECTION
 THIS DRAWING IS UNPUBLISHED. RELEASED FOR PUBLICATION
 © COPYRIGHT 19 BY AMP INCORPORATED. ALL INTERNATIONAL RIGHTS RESERVED.

| LOC | | DIST | | ZONE | | LTR | | REVISIONS | | |
|-------------|------|------|---|------|--|-----|--|--------------------------|---------|----|
| DESCRIPTION | DATE | APPD | | | | | | | | |
| AJ | 16 | P | F | D | | | | REVISED PER Q220-0219-96 | 5-22-96 | JG |



- △ ZINC PER QQ-Z-363
- △ BERYLLIUM COPPER PER QQ-C-530
- △ PTFE PER MIL-P-19468
- △ NICKEL PLATE PER QQ-N-290, .0051 [0.00200] MINIMUM THICKNESS
- △ GOLD PLATE PER MIL-G-45204 .0013 [0.00050] MINIMUM THICKNESS
- 6. INTERMATEABLE WITH PRODUCT PER MIL-C-39012
- △ MAJOR THREAD DIAMETER TO BE .437/.427, DIMENSION TO BE MEASURED 90° OPPOSITE THE PARTING LINE.
- △ POLYMETHYLPENTENE, GENERAL PURPOSE



413933-1
PART NUMBER

| DO NOT SCALE PRINT. UNLESS SPECIFIED DIMENSIONS IN mm [INCHES] | | PART NO | |
|--|---|---|----------------------|
| TOLERANCES ON : 2 PLC DEC ± 0.08 [0.003] 3 PLC DEC ± - ANGLES ± - | | AMP AMP Incorporated Harrisburg, PA 17105-3608 | |
| MATERIAL △1 △2 △3 | DR 8-21-90 B. WERNER CHK 9-4-90 R.E. RUTH APPD 9-4-90 R. HENRY APPD 9-4-90 B. WERNER PRODUCT SPEC - | NAME JACK, RIGHT ANGLE, PCB, 50 OHM, SERIES TNC | |
| FINISH △4 △5 | APPLICATION SPEC - | SIZE C 00779 | DRAWING NO 413933 |
| WEIGHT - | SCALE 4:1 | CAGE CODE 00779 | SHEET 1 OF 1 |

AMP 1471-6 REV 9-89
22-MAY-96 15:13:55 010003419

CUSTOMER DRAWING