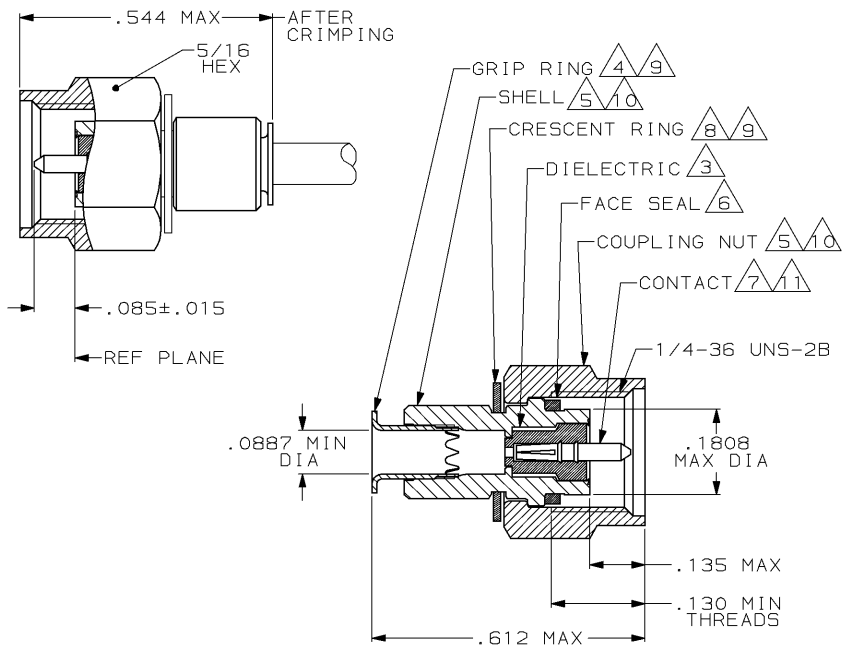


DRAWING MADE IN THIRD ANGLE PROJECTION

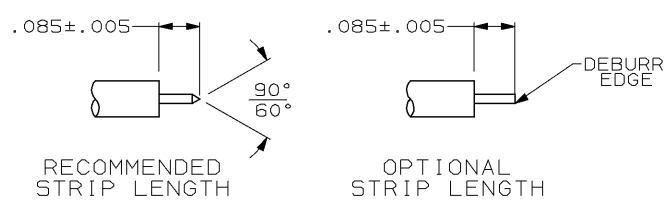
THIS DRAWING IS UNPUBLISHED. RELEASED FOR PUBLICATION \_\_\_\_\_, 19\_\_\_\_

© COPYRIGHT 19\_\_\_\_ BY AMP INCORPORATED, HARRISBURG, PA. ALL INTERNATIONAL RIGHTS RESERVED. AMP PRODUCTS MAY BE COVERED BY U.S. AND FOREIGN PATENTS AND/OR PATENTS PENDING.

LOC	DIST	P	F	ZONE	LTR	DESCRIPTION	DATE	APPROVED
AJ	16					D REV PER 0630-0431-98	28OCT98	MO



- FOR USE WITH: RG-405/U, .086 SEMI-RIGID CABLE
- SEE I.S. 6788
- PTFE PER ASTM D1710
- BRASS PER ASTM-B-36
- STAINLESS STEEL PER ASTM-A-582
- SILICONE RUBBER PER ZZ-R-765
- BERYLLIUM COPPER PER ASTM-B-197
- BERYLLIUM COPPER, ALLOY #25
- NICKEL PL PER QQ-N-290
- PASSIVATION PER ASTM A967
- GOLD PL PER MIL-G-45204
- 00779 M39012/79-3307
- .500 MIN LENGTH OF STRAIGHT CABLE REQUIRED TO APPLY THE CONNECTOR



UNLESS OTHERWISE SPECIFIED DIMENSIONS ARE IN INCHES		DR	M. SNEED	3-17-87	228639-1	
TOLERANCES ON:		CHK	D. HEIDE	3-17-87	PART NO	
2 PL DEC ±		APPD	M. WALMSLEY	3-17-87	AMP INCORPORATED Harrisburg, Pa. 17105	
3 PL DEC ±		NAME		PLUG, MIL-F, SERIES SMA		
ANGLES ±		MATERIAL		SIZE		
3 THRU 8		FINISH		B		
9 THRU 11		APPLICATION SPEC		FSCM NO		
		WEIGHT		DRAWING NO		
				00779		
				228639-1		
				SCALE		
				5:1		
				SHEET		
				1 OF 1		

AMP 1470-15 REV 10-84

CUSTOMER DRAWING