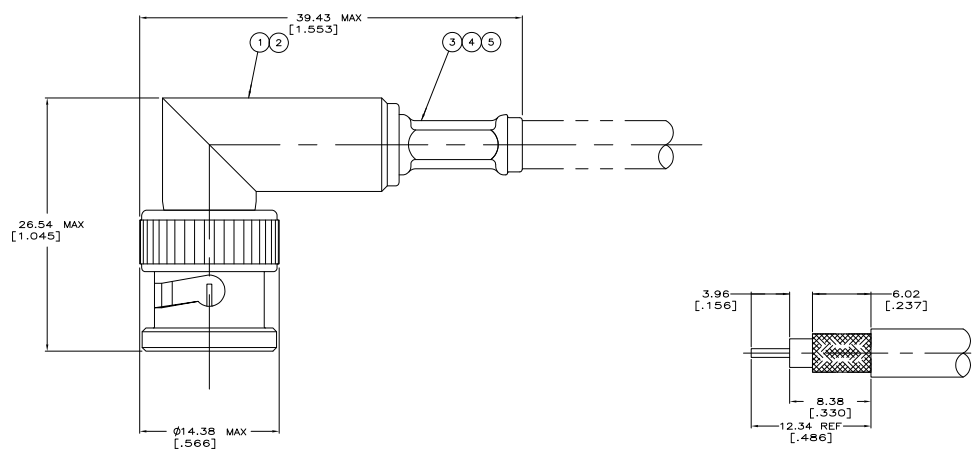


△ USE WITH PRO-CRIMPER 354940-1.
 2. SEE INSTRUCTION SHEET 408-9765.



RECOMMENDED STRIP LENGTH

AT&T 735A	1.07	.042	4.52	.178	58425-2	-	-	9-413658-2	1-413746-0	413947-2	1-5413588-0
RG-59 TYPE WITH .031 DIA CENTER CONDUCTOR, BELDEN 9240, 9259 & 9266	1.07	.042	6.48	.255	58425-1	-	-	9-221132-1	2-413746-0	413947-1	5413588-9
RG-179/U, 179A/U, 179B/U, 187/U & 187A/U	1.07	.042	4.52	.178	58425-2	227194-2	1-222001-0	9-413658-0	1-413746-5	413947-2	5413588-8
AT&T KS 19224 L2	1.07	.042	4.52	.178	58425-2	227194-2	1-222001-0	9-413658-2	1-413746-5	413947-2	5413588-4
RG-59/U, 59A/U & 59B/U	1.07	.042	6.48	.255	58425-1	-	-	9-221132-1	413746-5	413947-1	5413588-2

FOR USE WITH CABLE	CONTACT CRIMP (SQUARE)	FERRULE CRIMP (HEX)	DIE SET △	③ TUBING, PLASTIC QTY=1	④ TUBING, METAL QTY=1	③ FERRULE QTY=1	② CONTACT QTY=1	① PLUG ASSY QTY=1	PART NUMBER
--------------------	------------------------	---------------------	-----------	-------------------------	-----------------------	-----------------	-----------------	-------------------	-------------

THIS DRAWING IS A CONTROLLED DOCUMENT.

DESIGNED BY	INTEGRATED SYSTEMS	DATE	12/02/01
DESIGNED BY	INTEGRATED SYSTEMS	DATE	12/02/01
DESIGNED BY	INTEGRATED SYSTEMS	DATE	12/02/01
DESIGNED BY	INTEGRATED SYSTEMS	DATE	12/02/01

Customer Drawing: A100779, G=5413588, SIZE: 5:1, SHEET: 1 of 1, REV: 01