

4

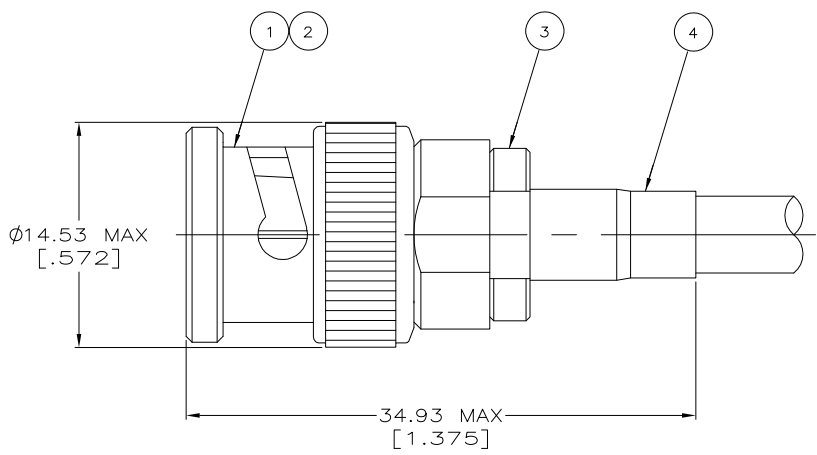
3

2

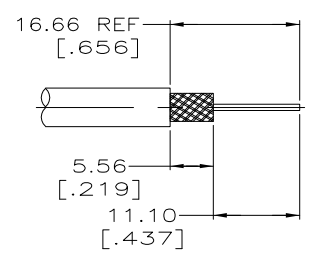
1

THIS DRAWING IS UNPUBLISHED. RELEASED FOR PUBLICATION
 © COPYRIGHT - BY TYCO ELECTRONICS CORPORATION. ALL RIGHTS RESERVED.

LOC	DIST	REVISIONS				
P	LTR	DESCRIPTION	DATE	DWN	APVD	
	AJ	16				
0		REL PER EC 0S14-0101-05	19APR2005	GA	JL	



- 1. USE INSTRUCTION SHEET 408-1799-1
- ⚠ USE CRIMP TOOL 69140-1 WITH CABLE RG-58/U, 58A/U, 58B/U, 58C/U
- ⚠ USE CRIMP TOOL 69140-2 WITH CABLE RG-55/U, 55A/U, 55B/U AND 223/U



RECOMMENDED STRIP LENGTH
SCALE 2:1

③	9-329099-2	9-50780-0	2-329106-1	9-329804-0	2-5329444-2
②	9-328663-0	9-50780-0	2-329106-1	9-329804-0	2-5329444-1
④	FERRULE QTY=1	③ CRIMP END ASSEMBLY QTY=1	② GASKET QTY=1	① PLUG ASSEMBLY QTY=1	PART NUMBER

THIS DRAWING IS A CONTROLLED DOCUMENT.

DIMENSIONS: mm [INCHES]	TOLERANCES UNLESS OTHERWISE SPECIFIED:	DWN G. ATTADIA - DOCK5 19APR2005	19APR2005	Tyco Electronics Corporation Harrisburg, Pa 17105-3608																												
<table border="1"> <tr><td>0 PLC</td><td>± -</td></tr> <tr><td>1 PLC</td><td>± -</td></tr> <tr><td>2 PLC</td><td>± 0.41 [.016]</td></tr> <tr><td>3 PLC</td><td>± -</td></tr> <tr><td>4 PLC</td><td>± -</td></tr> <tr><td>ANGLES</td><td>± -</td></tr> <tr><td>FINISH</td><td>-</td></tr> </table>	0 PLC	± -	1 PLC		± -	2 PLC	± 0.41 [.016]	3 PLC	± -	4 PLC	± -	ANGLES	± -	FINISH	-	<table border="1"> <tr><td>CHK</td><td>J. HAVENER</td><td>19APR2005</td></tr> <tr><td>APVD</td><td>J. LIPPERT</td><td>19APR2005</td></tr> <tr><td>PRODUCT SPEC</td><td>-</td><td>-</td></tr> <tr><td>APPLICATION SPEC</td><td>-</td><td>-</td></tr> <tr><td>WEIGHT</td><td>-</td><td>-</td></tr> </table>	CHK	J. HAVENER	19APR2005	APVD	J. LIPPERT	19APR2005	PRODUCT SPEC	-	-	APPLICATION SPEC	-	-	WEIGHT	-	-	NAME
0 PLC	± -																															
1 PLC	± -																															
2 PLC	± 0.41 [.016]																															
3 PLC	± -																															
4 PLC	± -																															
ANGLES	± -																															
FINISH	-																															
CHK	J. HAVENER	19APR2005																														
APVD	J. LIPPERT	19APR2005																														
PRODUCT SPEC	-	-																														
APPLICATION SPEC	-	-																														
WEIGHT	-	-																														
MATERIAL	FINISH	SIZE	CAGE CODE	DRAWING NO	RESTRICTED TO																											
-	-	A3	00779	5329444	-																											

CUSTOMER DRAWING SCALE 4:1 SHEET 1 OF 1 REV 0