

4

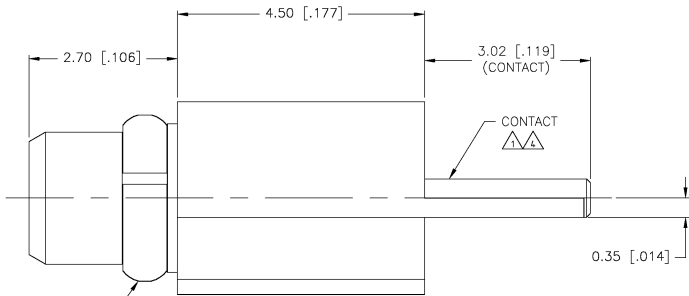
3

2

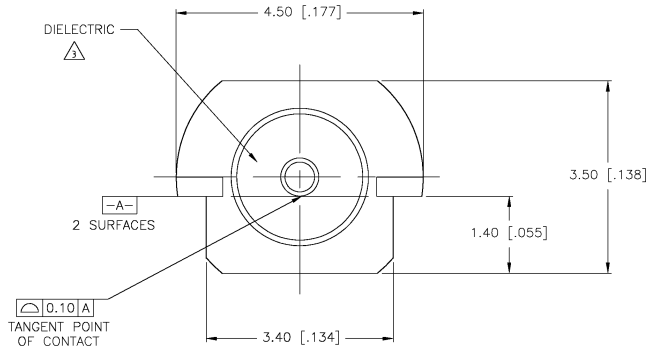
1

THIS DRAWING IS UNPUBLISHED. RELEASED FOR PUBLICATION.
 © COPYRIGHT BY TYCO ELECTRONICS CORPORATION. ALL RIGHTS RESERVED.

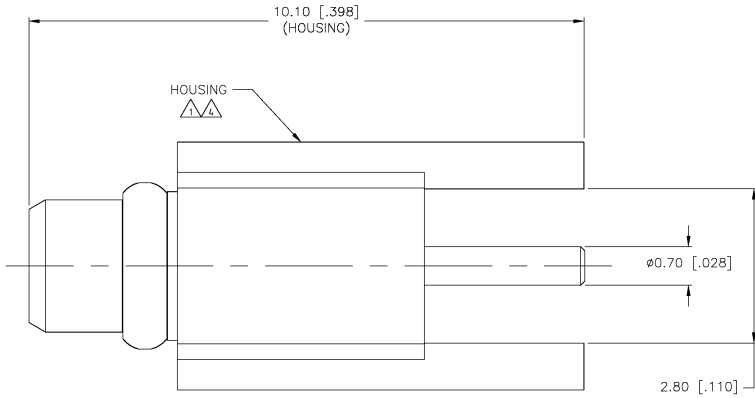
REVISONS		DATE	OWN	APP'D
LOC	DIST			
AJ				
P	LTR	DESCRIPTION		
B		REV PER 0514-0018-03	27JAN03	KW KW



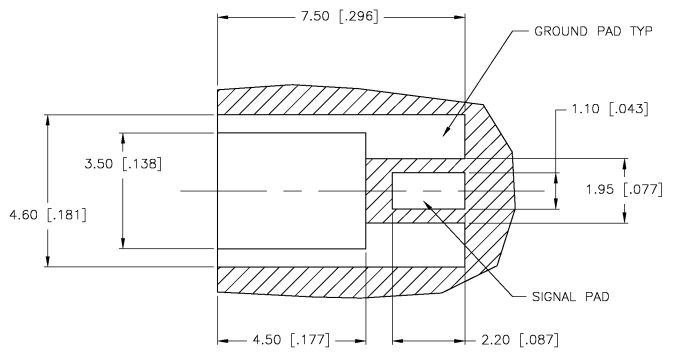
RETAINING RING
 △△△



△ DIELECTRIC
 -A- 2 SURFACES
 △ 0.10 | A TANGENT POINT OF CONTACT



HOUSING
 △△△



SOLDER PAD CONFIGURATION ONLY
 (SCALE 12:1)

- △ BRASS PER ASTM-B-16
- △ BERYLLIUM COPPER PER ASTM-B-196
- △ PTFE PER ASTM-D-1710
- △ GOLD PLATE PER MIL-G-45204

140B120-1
 PART NUMBER

THIS DRAWING IS A CONTROLLED DOCUMENT.		DWG NO. 170C2001	 Tyco Electronics Corporation Middletown, PA 17057	MMX EDGE LAUNCH PCB PLUG	RESTRICTED TO
DIMENSIONS: MM [INCHES]		CHK. 02NOV02			
TOLERANCES UNLESS OTHERWISE SPECIFIED:		APPROVALS:		WEIGHT: 0.20G/007 OZ	
0 P.L.C.	± .005	APPLICATOR:		SCALE: 20:1	
1 P.L.C.	± 0.26 (.010)	PRODUCT SPEC:		SHEET 1 OF 1	
2 P.L.C.	± 0.13 (.005)	APPLICATION SPEC:		REV B	
3 P.L.C.	± .005	MATERIAL:			
4 P.L.C.	± .005	FINISH:			
ANGLES: ± .1		CUSTOMER DRAWING			

AMP 1431-9 REV 31MAY2000

140B120

A