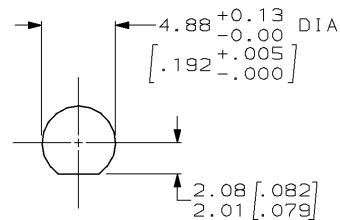
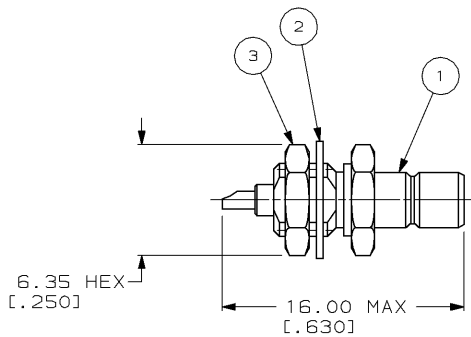


DRAWING MADE IN THIRD ANGLE PROJECTION

THIS DRAWING IS UNPUBLISHED. RELEASED FOR PUBLICATION, 19 .

© COPYRIGHT 19 BY AMP INCORPORATED. ALL INTERNATIONAL RIGHTS RESERVED.

LOC	DIST	P	F	ZONE	LTR	DESCRIPTION	DATE	APPD
AJ	16				B	REDRAWN ON CAD & REV PER ECN AJ-5848	3-23-92	-
					C	REV PER 0220-0269-95	25/APR/95	BMW
					D	REV PER 0220-0747-95	4-08-96	JC



SUGGESTED PANEL CUT-OUT

OBSOLETE	414969-2	415001-2	228220-2	228216-2
	414969-2	415001-2	228220-1	228216-1
	JAM NUT ③ QTY=1	LOCKWASHER ② QTY=1	BULKHEAD ASSEMBLY ① QTY=1	PART NUMBER

DO NOT SCALE PRINT. UNLESS SPECIFIED DIMENSIONS IN mm (INCHES) TOLERANCES ON: 2 PLC DEC ± - 3 PLC DEC ± - ANGLES ± -	DR 3-23-92 J GALLUCCI BS CHK 01/04/93 G. MICHAEL APPD 01/04/93 G. MICHAEL APPD 01/04/93 J. DAVIS PRODUCT SPEC - APPLICATION SPEC - WEIGHT -	AMP AMP Incorporated Harrisburg, PA 17105-3608 NAME CONNECTOR, COAXIAL, R.F. SERIES SMB FRONT MOUNT BULKHEAD RECEPTACLE SIZE B CAGE CODE 00779 DRAWING NO 228216 SCALE 4:1 SHEET 1 OF 1
----------------------------------------------------------------------------------------------------------------------------------------	---------------------------------------------------------------------------------------------------------------------------------------------------------------------------	------------------------------------------------------------------------------------------------------------------------------------------------------------------------------------------------------------------

AMP 1470-15 REV 11-89

CUSTOMER DRAWING