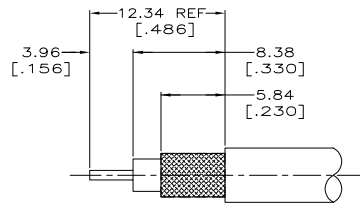
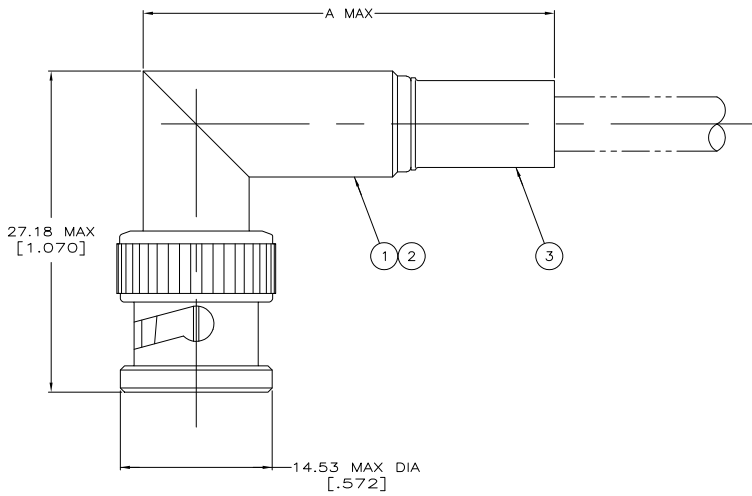


THIS DRAWING IS UNPUBLISHED. RELEASED FOR PUBLICATION. ALL RIGHTS RESERVED.
 © COPYRIGHT BY TYCO ELECTRONICS CORPORATION.

LOC	DIST	REVISIONS			
		REV	DESCRIPTION	DATE	BY
AJ	16	A	REVISED PER EC 0514-0150-05	30AUG05	BM JL

- △ USE WITH PRO-CRIMPER 354940-1.
- 2. USE INSTRUCTION SHEET 408-9781



RECOMMENDED STRIP LENGTH

AT&T 735	58174-1	39.88	[1.570]	9-328666-2	221200-9	413947-2	5221402-7
BELDEN 9145	58085-1	39.88	[1.570]	9-50428-0	2-221200-5	413947-6	5221402-4
RG-59/U, 59A/U, 59B/U	58085-1	39.88	[1.570]	9-50428-0	221200-3	413947-6	5221402-2
BELDEN 9248 & MADISON W/18AWG C/C	58086-1	39.88	[1.570]	9-50427-0	3-221200-2	413947-5	5221402-1

CABLE	DIE SET	A	③ FERRULE QTY=1	② CONTACT QTY=1	① PLUG ASSEMBLY QTY=1	PART NUMBER
	△					

THIS DRAWING IS A CONTROLLED DOCUMENT.		REV J. ALCORTA 21APR2005	21APR2005	Tyco Electronics Corporation Harrisburg, Pa 17105-3608	
DIMENSIONS: mm [INCHES]		CHK J. HAVENER 21APR2005	21APR2005	NAME Tyco Electronics	
TO MANUFACTURER'S DIMENSIONS UNLESS SPECIFIED:		APP'D J. LIPPERT 21APR2005		PLUG, RIGHT ANGLE, 75 OHM, COMMERCIAL BNC	
0 PLC ± .010		PRODUCT SPEC 108-12020		SIZE CAGE CODE DRAWING NO. RESTRICTED TO	
1 PLC ± .010		APPLICATION SPEC		A200779C-5221402	
2 PLC ± .010		WEIGHT		SCALE 4:1 SHEET 1 OF 1 REV A	
3 PLC ± .010		MATERIAL		CUSTOMER DRAWING	
4 PLC ± .010		FINISH			