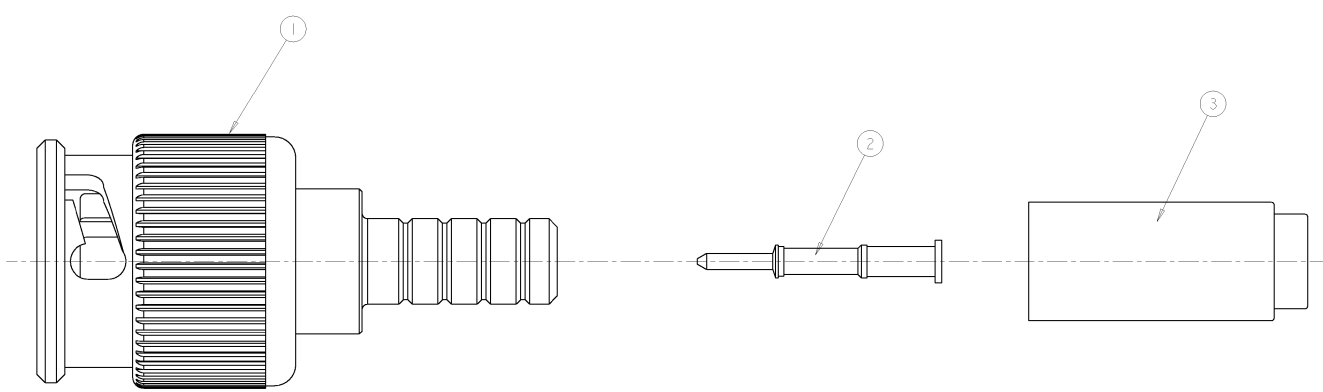


REV	DATE	BY	CHKD	DESCRIPTION
D	09/06/2004	B.W.	B.W.	REV PER 0514-0345-04



1. ITEMS PACKAGED UNASSEMBLED
2. SEE SEPARATE CUSTOMER DRAWINGS FOR ITEM DETAILS
3. SEE INSTRUCTION SHEET 408-8871 FOR CABLE TERMINATION DETAILS

ITEM	QTY	DESCRIPTION	PART NUMBER
RG179	.042 [1.07]	.178 [4.52]	9-413658-0
734A	.042 [1.07]	.255 [6.48]	9-221132-3
735A	.042 [1.07]	.178 [4.52]	9-413658-2
CABLE	CONTACT CRIMP (SQUARE)	FERRULE CRIMP (HEX)	FERRULE QTY = 1 CONTACT QTY = 1 PLUG ASSY QTY = 1

DIMENSIONS: INCHES (mm)		GENERAL SPECIFICATIONS: 0 PLC ✓ 1 PLC ✓ 2 PLC ✓ 3 PLC ✓ 4 PLC ✓ ANGLES ✓ FINISH ✓		PRODUCT SPEC: APPLICATION SPEC: WEIGHT: FINISH:		CUSTOMER DRAWING	
DWG BY WEIDNER CHK MICHAEL APPR WEIDNER		DATE 02FEB2004 DATE 02FEB2004		DATE 03OCT2003		tyco Electronics Harrisburg, PA 17105-3400	
STRAIGHT PLUG KIT, MINI BNC				SIZE CASE CODE DRAWING NO A2 100779 C-1274563		RESTRICTED TO	
SCALE 8:1				SHEET 1 OF 1		REV D	