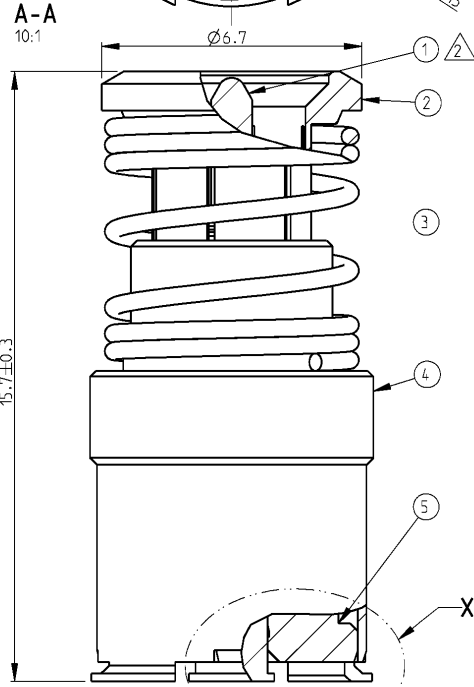
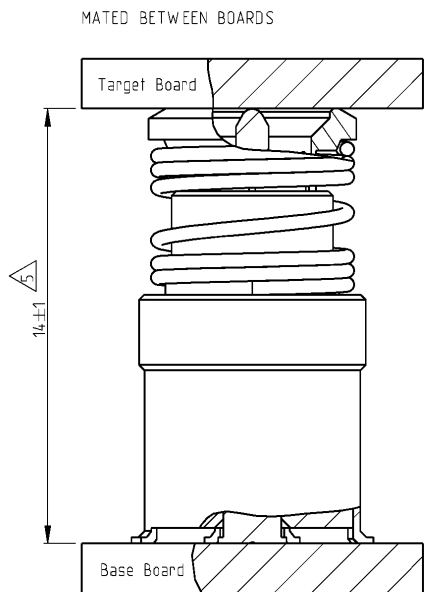
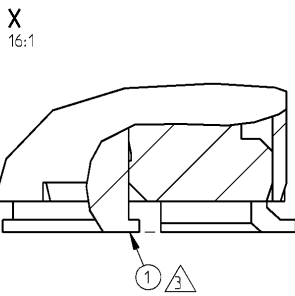
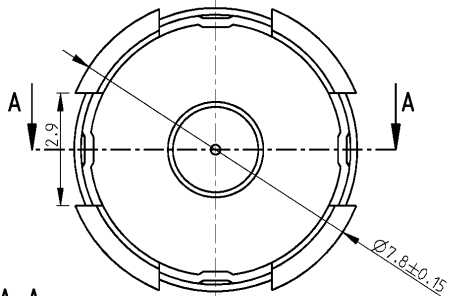


THIS DRAWING IS UNPUBLISHED. RELEASED FOR PUBLICATION AUG. 2001
 COPYRIGHT 2001 BY TYCO ELECTRONICS CORPORATION. ALL RIGHTS RESERVED.

| LOC | DIST | REVISIONS | | | |
|-----|------|-------------|---------------------|------------|--------|
| P | LTR | DESCRIPTION | DATE | DWN | APVD |
| GW | 00 | A2 | EC SR10 - 0112 - 04 | 22DEC 2004 | RLU DB |



| | | | |
|-----------------------------------------------------------------------------------------------------------------------------------------------------------------------------------------------------------------------------------------------|-----------------------------------------------------------------------------------------------------------------------------------|------------------------------------------------------------------------------------|---------------------------------------------------------------------------------------------------------------------|
| <small>THIS DRAWING IS A CONTROLLED DOCUMENT FOR TYCO ELECTRONICS CORPORATION IT IS SUBJECT TO CHANGE AND THE CONTROLLING ENGINEER'S SIGNATURE SHOULD BE CONTACTED FOR THE LATEST REVISION.</small> | | DWN S. Kempter 22JUL02 CHK B. Rithener 22JUL02 APVD - - | tyco Electronics Tyco Electronics Costkamp - Belgium |
| DIMENSIONS: mm | TOLERANCES UNLESS OTHERWISE SPECIFIED: 0 P.L.C ±0.2 1 P.L.C ±0.2 2 P.L.C ±0.1 3 P.L.C ± 4 P.L.C ± ANGLES ±2° | PRODUCT SPEC 108-71060 APPLICATION SPEC - WEIGHT - CUSTOMER DRAWING | NAME BOARD-TO-BOARD CONNECTOR 14 MM HEIGHT SIZE CAGE CODE DRAWING NO A3 00779 C-619127 RESTRICTED TO |
| MATERIAL - FINISH - | | SCALE 8:1 SHEET 1 OF 3 REV A2 | - |

AMP 1470-19 REV 31MAR2000

4

3

2

1

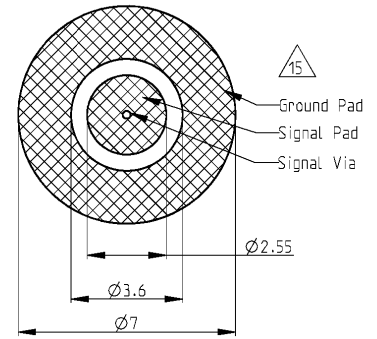
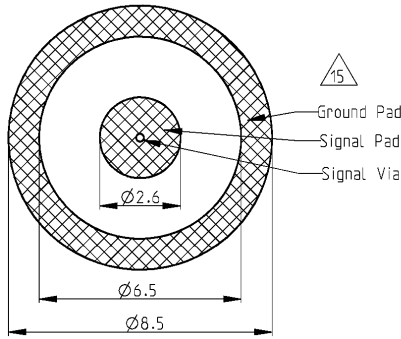
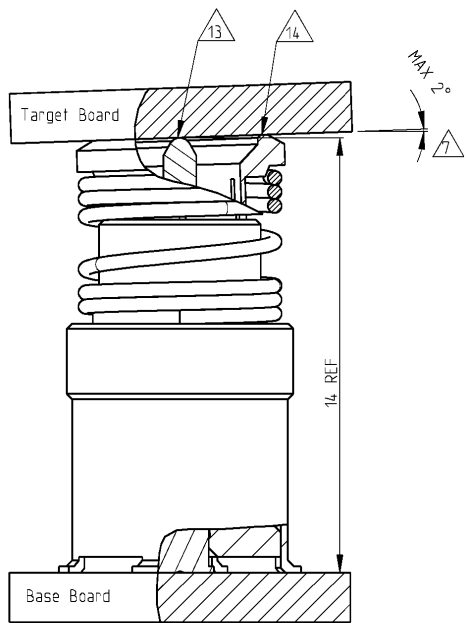
THIS DRAWING IS UNPUBLISHED. RELEASED FOR PUBLICATION AUG. 2001
 BY TYCO ELECTRONICS CORPORATION. ALL RIGHTS RESERVED.

| LOC | DIST | REVISIONS | | | |
|-----|------|-------------|------|-----|------|
| P | LTR | DESCRIPTION | DATE | DWN | APVD |
| - | - | see sheet 1 | - | - | - |

- 1 POSITION OF CENTER CONTACT
- 2 PLATING 0.15 μm Au OVER NIP
- 3 PLATING 0.3 μm Au OVER NIP,
- 4 1 CONNECTOR PACKED IN PLASTIC BAG
- 5 DISTANCE BETWEEN PRINTED CIRCUIT BOARDS
- 6 MISALIGNMENT BETWEEN CONNECTOR AXIS AND TARGET LAYOUT ON TARGET BOARD: MAX 0.8 mm
- 7 ANGLE BETWEEN PRINTED CIRCUIT BOARDS

8 RECOMMENDED LAYOUT ON BASE BOARD

9 RECOMMENDED TARGET LAYOUT ON TARGET BOARD



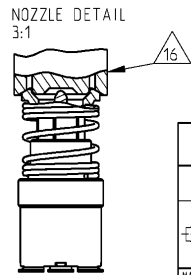
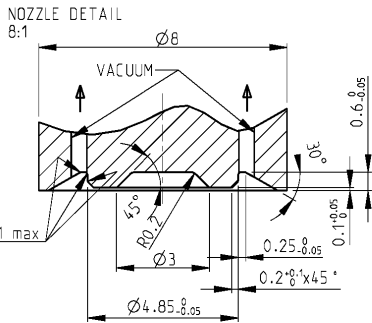
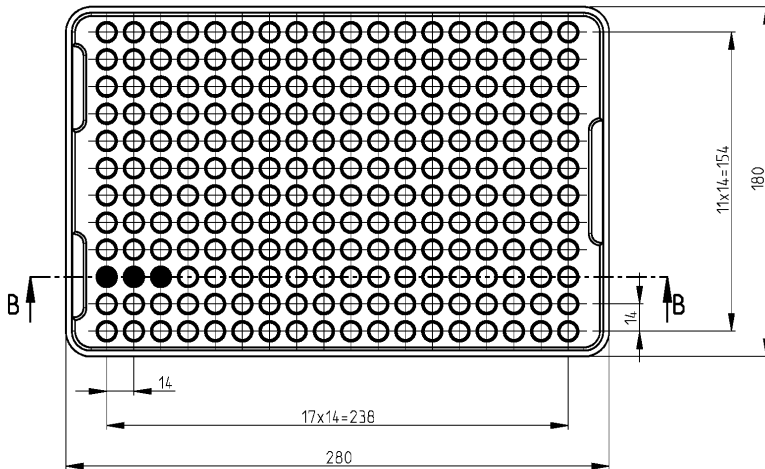
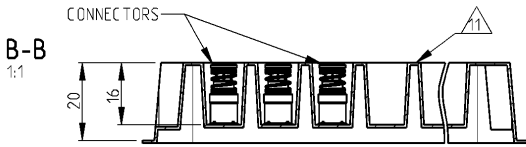
| | | | | | |
|------|----|----------|-------------------------|-----------------------|---------|
| 1 | 1 | 5 | DIELECTRIC | PCT / PEEK | |
| 1 | 1 | 4 | OUTER SHELL | CuZn | 2 |
| 1 | 1 | 3 | SPRING | STAINLESS STEEL | |
| 1 | 1 | 2 | CONTACT RING | CuSn | 2 |
| 1 | 1 | 1 | CENTER CONTACT ASSEMBLY | CuZn, STAINLESS STEEL | 2 3 |
| 5--1 | -1 | ITEM | DESCRIPTION | MATERIAL | PLATING |
| 10 | 4 | ORDER N° | ORDER N° | | |

| | | | | | |
|---------------------|--|-------------------------------------------------------------------------------------------------------------------------|--|-------------------------------------------------------------|-----------------------------------------------------------------------------|
| DIMENSIONS: mm | | TOLERANCES UNLESS OTHERWISE SPECIFIED: 0 PLC ±0.05 1 PLC ±0.05 2 PLC ±0.05 3 PLC ± 4 PLC ± ANGLES ±2° | | DWN S. Kempter 22JUL02 CHK B. Rithener 22JUL02 APVD - | tyco Electronics Tyco Electronics Costkamp - Belgium |
| | | PRODUCT SPEC 10B-71060 APPLICATION SPEC | | BOARD-TO-BOARD CONNECTOR 14 MM HEIGHT | |
| MATERIAL - FINISH - | | WEIGHT - | | SIZE A3 CAGE CODE 00779 DRAWING NO. 619127 | RESTRICTED TO - |
| CUSTOMER DRAWING | | | | SCALE 8:1 | SHEET 2 OF 3 REV A2 |

AMP 1470-19 REV 31MAR2000

THIS DRAWING IS UNPUBLISHED. RELEASED FOR PUBLICATION AUG. 2001
 COPYRIGHT 2001 BY TYCO ELECTRONICS CORPORATION. ALL RIGHTS RESERVED.

| LOC | DIST | REVISIONS | | | | |
|-----|------|---------------|------|-----|------|--|
| P | LTR | DESCRIPTION | DATE | DWN | APVD | |
| GW | 00 | - see sheet 1 | - | - | - | |



- 10 PACKAGING:
 -216 CONNECTORS PER TRAY
 -10 TRAYS PER SHIPPING BOX
 -SHIPPING BOX DIMENSIONS (LxBxH): 287x187x200
- 11 ANTISTATIC MATERIAL
- 12 - ALTERNATIVE PACKAGING IN TAPE AND REEL
- 13 CONTACT FORCE FOR CENTER CONDUCTOR:
 F MAX. = 2.8 N (Total length compressed at 13 mm)
- 14 CONTACT FORCE FOR CONTACT RING:
 F MAX. = 5.3 N (Total length compressed at 13 mm)
- 15 RECOMMENDED PCB CHARACTERISTICS :
 - PLATING Au , SURFACE ROUGHNESS Rz4 MAX.
 - PCB MATERIAL FR4
 - PCB THICKNESS MIN. 0.8 mm
- 16 RECOMMENDED NOZZLE DESIGN

| | | | | | |
|------------------------|--|-----------------------------------------------------------------------------------------------------------------------------------|--------------|-------------------------------------------------------------|----------------------------------------|
| DIMENSIONS: mm | | TOLERANCES UNLESS OTHERWISE SPECIFIED: 0 P.L.C ±0.05 1 P.L.C ±0.05 2 P.L.C ±0.05 3 P.L.C ± 4 P.L.C ± ANGLES ±2° | | DWN S. Kempter 22JUL02 CHK B. Rithener 22JUL02 APVD - | Tyco Electronics Coxtkamp - Belgium |
| MATERIAL - | | FINISH - | | NAME BOARD-TO-BOARD CONNECTOR 14 MM HEIGHT | |
| PRODUCT SPEC 108-71060 | | APPLICATION SPEC - | | SIZE A3 | CAGE CODE 00779 |
| CUSTOMER DRAWING | | DRAWING NO. 619127 | | RESTRICTED TO - | |
| SCALE - | | | SHEET 3 OF 3 | | |

AMP 1470-19 REV 31MAR2000