

4

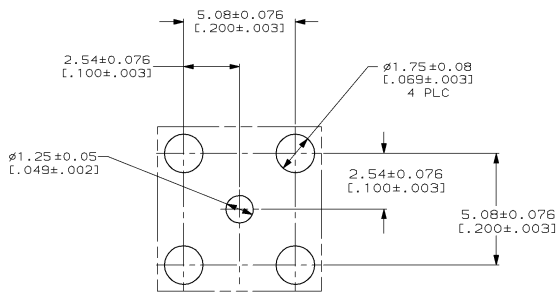
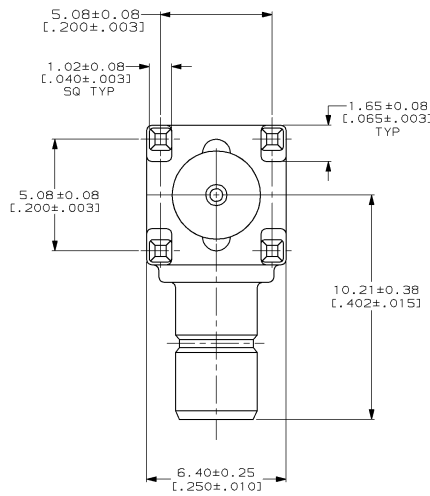
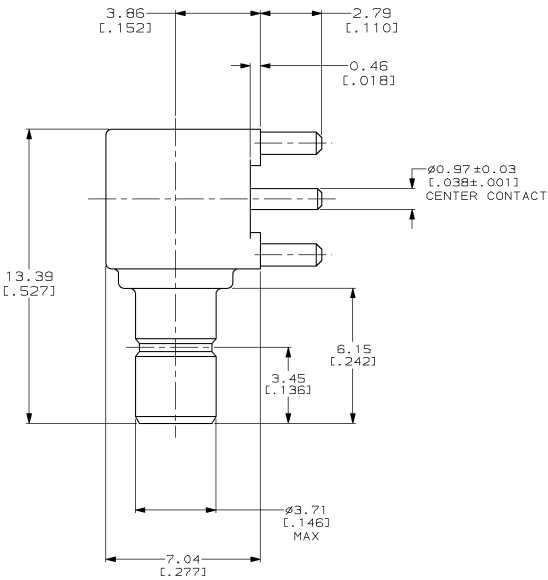
3

2

1

THIS DRAWING IS UNPUBLISHED. RELEASED FOR PUBLICATION BY AMP INCORPORATED. ALL RIGHTS RESERVED.

REV	DATE	BY	APP'D
0	RELEASED PER 95-3386-002-1	4-1-96	SMB JC
A	REVISED PER 0503-0471-97	8-1-97	JG SB



RECOMMENDED PCB CONFIGURATION

- MATERIALS:  
BODY...ZINC ALLOY (ACUZINC)  
CENTER CONTACT...BRASS PER QQ-B-626  
DIELECTRICS...TEFLON PER ASTM-D1710
- FINISH:  
CENTER CONTACT...GOLD PLATE PER MIL-G-45204  
BODY...GOLD PLATE PER MIL-G-45204.
- 3. INTERFACE PER MIL-C-39012

415340-1  
PART NUMBER

THIS DRAWING IS UNPUBLISHED. RELEASED FOR PUBLICATION BY AMP INCORPORATED. ALL RIGHTS RESERVED.		DATE: 02/FEB/96 BY: S. BURKHOLDER APP'D: M. MOYER	<b>AMP</b> AMP Incorporated Harrisburg, PA 17105-3608
OTHER NOTES: DIM (INCHES)	DIMENSIONS UNLESS OTHERWISE SPECIFIED: D PLG ± R PLG ±0.13 (0.003) H PLG ± FINISH	PRODUCT SPEC: CABARLO APPLICATION SPEC: WEIGHT: CUSTOMER DRAWING	JACK, RIGHT ANGLE, PCB, SMB SIZE: A2 CASE CODE: 00779 DRAWING TO: C-415340 SCALE: B:1 SHEET: 1 OF 1 REV: A

415340  
B

A