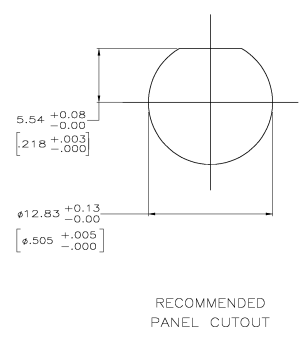
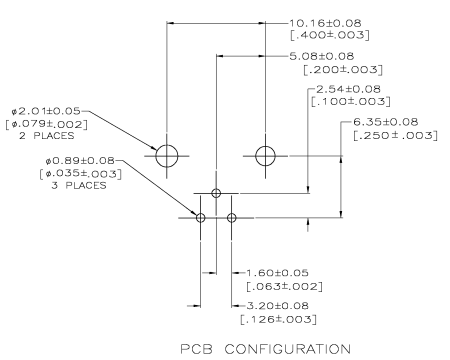
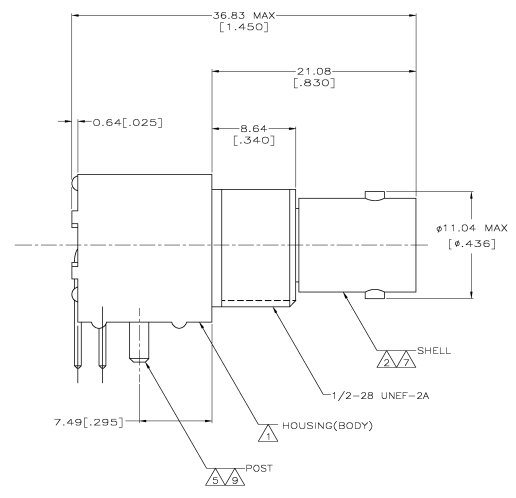
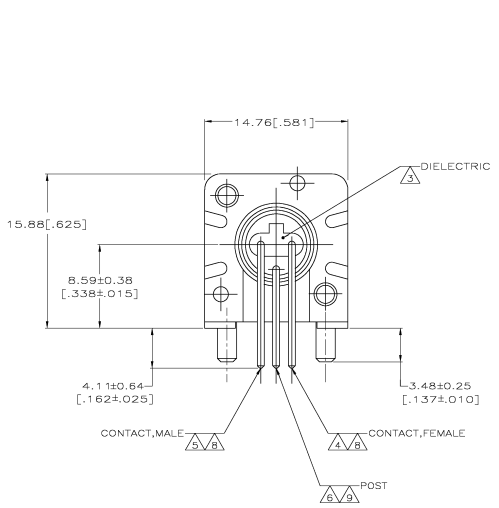


REV	DATE	DESCRIPTION	BY	CHK	APP
AJ	16	EC PER 0514-0192-04			



- ▲ POLYESTER, PBT, 15% GLASS FIBER REINFORCED, NATURAL, PER MIL-M-24519.
- ▲ ZINC PER QQ-Z-363.
- ▲ POLYMETHYLPENTENE, GENERAL PURPOSE.
- ▲ PHOSPHOR BRONZE PER QQ-B-750.
- ▲ BRASS PER QQ-B-626.
- ▲ BRASS PER ASTM-B-453.
- ▲ NICKEL PL PER QQ-N-290, 3.81  $\mu$ m [0.000150] MINIMUM THICK
- ▲ GOLD PL PER MIL-G-45204, 0.76  $\mu$ m [0.00030] MINIMUM THICK
- ▲ TIN PL PER ASTM-B-545 3.81  $\mu$ m [0.000150] MINIMUM THICK

228686-1  
 PART NO

THIS DRAWING IS A CONTROLLED DOCUMENT.		REV	DATE	BY	CHK	APP	DATE	DESCRIPTION	RESTRICTED TO
REV	DATE	BY	CHK	APP	DATE	DESCRIPTION	RESTRICTED TO		
1									
2									
3									
4									
5									
6									
7									
8									
9									
10									
11									
12									
13									
14									
15									
16									
17									
18									
19									
20									
21									
22									
23									
24									
25									
26									
27									
28									
29									
30									
31									
32									
33									
34									
35									
36									
37									
38									
39									
40									
41									
42									
43									
44									
45									
46									
47									
48									
49									
50									
51									
52									
53									
54									
55									
56									
57									
58									
59									
60									
61									
62									
63									
64									
65									
66									
67									
68									
69									
70									
71									
72									
73									
74									
75									
76									
77									
78									
79									
80									
81									
82									
83									
84									
85									
86									
87									
88									
89									
90									
91									
92									
93									
94									
95									
96									
97									
98									
99									
100									