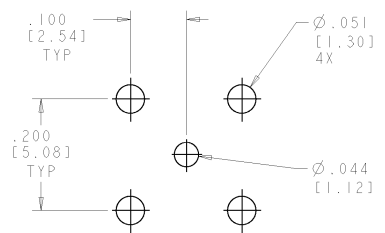
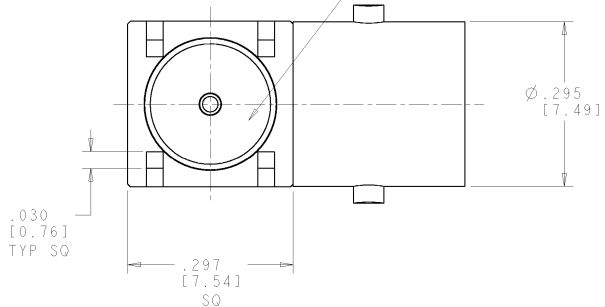
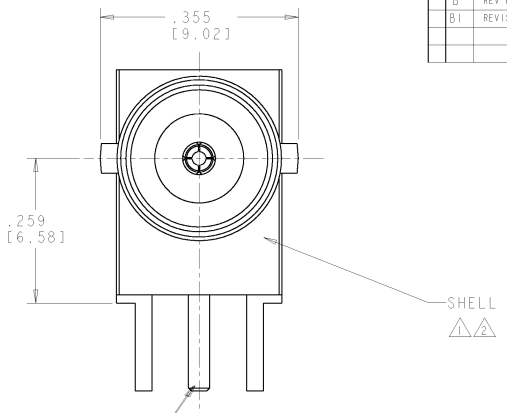
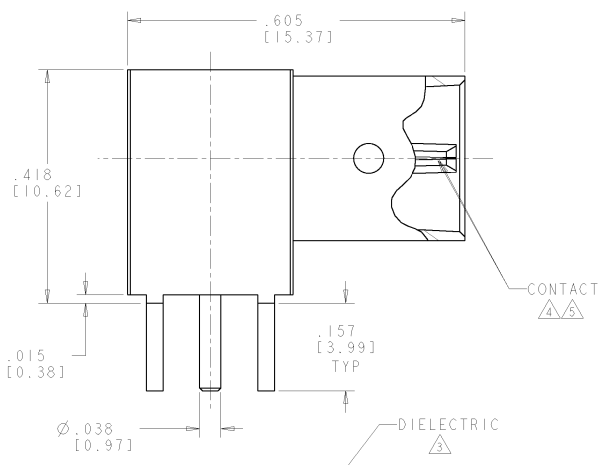


THIS DRAWING IS UNPUBLISHED. RELEASED FOR PUBLICATION BY TYCO ELECTRONICS CORPORATION. ALL RIGHTS RESERVED.

REV	DATE	BY	CHKD	DESCRIPTION
B	09AUG2004	RW	RW	REV PER 0514-0345-04
B1	19MAR2006	KS	RW	REVISED PER ECO-06-011232



RECOMMENDED PCB LAYOUT  
TOLERANCE: ±.003 [0.08]

- △ BRASS PER ASTM-B-16
  - △ NICKEL PLATE PER QQ-N-290
  - △ PTFE PER ASTM-D-1710
  - △ PHOSPHOR BRONZE PER ASTM-B-139
  - △ GOLD PLATE PER ASTM-B488
- 6 MATING CABLE PLUGS MUST BE STRAIN RELIEVED TO PREVENT DAMAGE TO PCB JACK CAUSED BY SIDE LOAD

1274572-1  
PART NUMBER

DIMENSIONS: INCHES [mm]		OWN: WEIDNER	DATE: 08JAN2004	BY: MICHAEL	CHKD: WEIDNER	REV: 08JAN2004	DRWG: 108-2159	SIZE: 8.1	CASE CODE: A2100779	DRAWING NO: 1274572	RESTRICTED TO: -
MATERIAL: -		FINISH: -	WEIGHT: -	CUSTOMER DRAWING		SCALE: 8.1		SHEET 1 OF 1		REV: B1	