

4

3

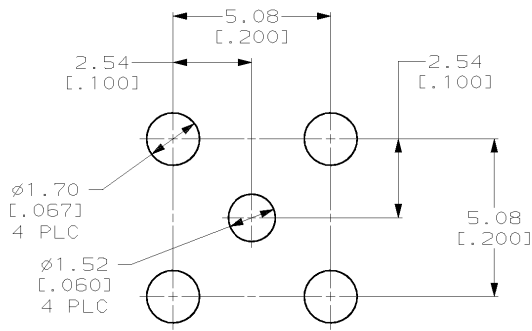
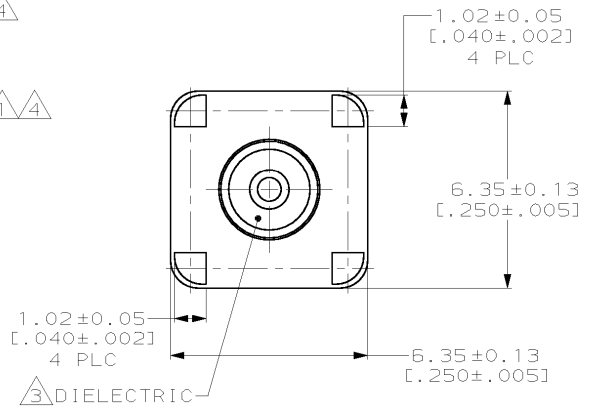
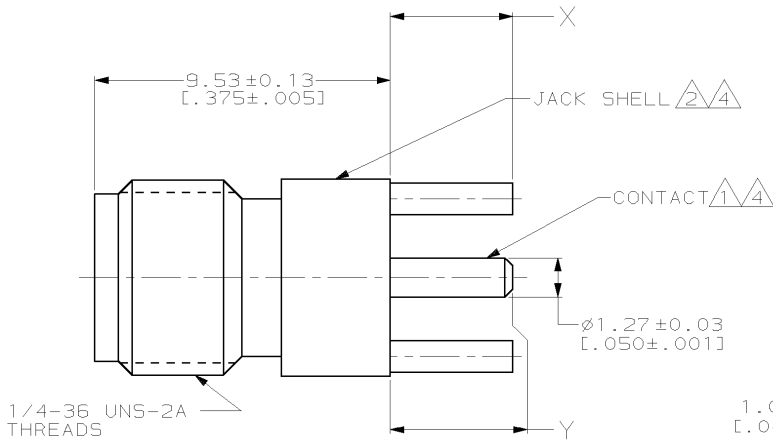
2

1

THIS DRAWING IS UNPUBLISHED. RELEASED FOR PUBLICATION .19
 © COPYRIGHT 19 BY AMP INCORPORATED. ALL RIGHTS RESERVED.

LOC	DIST	REVISIONS					
		P	LTR	DESCRIPTION	DATE	DWN	APVD
AJ	16						
		E		REV PER 0020-0090-99	22SEP99	MO	JH

- ① BERYLLIUM COPPER PER ASTM-B-197.
- ② BRASS PER ASTM-B-16.
- ③ TEFLON, PTFE, PER ASTM-D-1710.
- ④ GOLD PLATE PER MIL-G-45204.
- ⑤ PACKAGED ON TAPE & REEL PER EIA-STD481 WITH SOLDER LEGS DOWN.



⑤	2.67 ^{+0.25} _{-0.15} [.105 ^{+0.010} _{-.006}]	2.67±0.13 [.105±.005]	221789-4
	2.67 ^{+0.25} _{-0.15} [.105 ^{+0.010} _{-.006}]	2.67±0.13 [.105±.005]	221789-3
	3.94 [.155]	3.94±0.25 [.155±.010]	221789-1

Y	X	PART NUMBER

THIS DRAWING IS A CONTROLLED DOCUMENT.		DWN B. MOYER 25NOV97	AMP AMP Incorporated Harrisburg, PA 17105-3608	
DIMENSIONS: mm [INCHES]		CHK J. CABARLO 25NOV97		
TOLERANCES UNLESS OTHERWISE SPECIFIED:		APVD J. CABARLO 25NOV97	NAME JACK, VERTICAL, PCB, SMA SERIES	
0 PLC ±-		PRODUCT SPEC	SIZE CAGE CODE DRAWING NO RESTRICTED TO	
1 PLC ±-		APPLICATION SPEC	WEIGHT	
2 PLC ±0.08 [.003]			A3 00779 C-221789	
3 PLC ±-			CUSTOMER DRAWING	
4 PLC ±-			SCALE 8:1 SHEET 1 OF 1 REV E	
ANGLES ±-				
MATERIAL ①②③		FINISH ④		

RECOMMENDED PCB CONFIGURATION

AMP 1470-19 REV 27JUN96

28-SEP-99 12:53:13 opp06572 /home/amp06572/edmod