

4

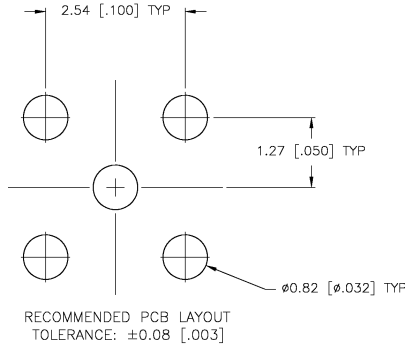
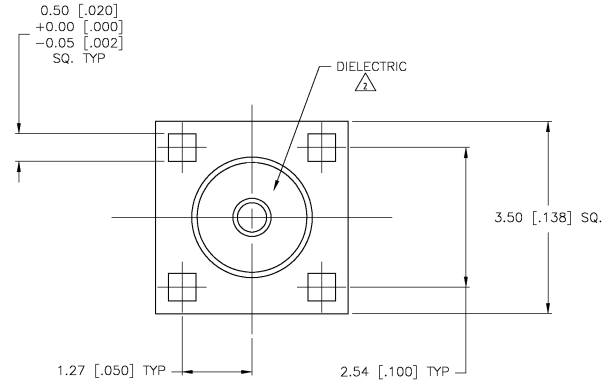
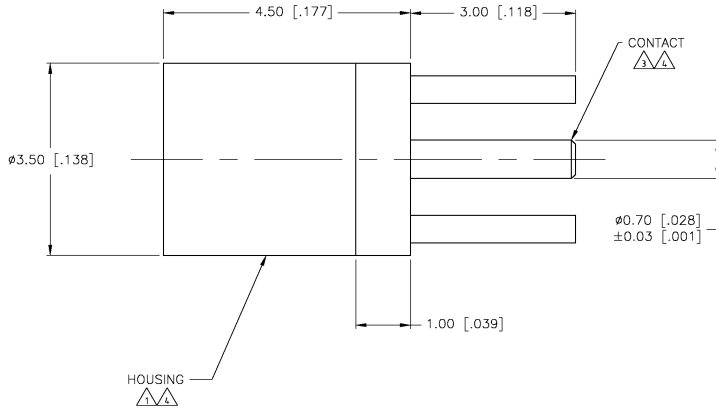
3

2

1

THIS DRAWING IS UNPUBLISHED. RELEASED FOR PUBLICATION  
 © COPYRIGHT BY TYCO ELECTRONICS CORPORATION. ALL RIGHTS RESERVED.

LOC		REV		REVISIONS		
LOC	REV	DESCRIPTION	DATE	BY	APP'D	
AJ	—	REV PER 0514-0289-03	20JUN03	KW	KW	



- △ BRASS PER ASTM-B-16
- △ PTFE PER ASTM-D-1710
- △ BERYLLIUM COPPER PER ASTM-B-196
- △ GOLD PLATE PER MIL-G-45204

1408150-1  
 PART NUMBER

THIS DRAWING IS A CONTROLLED DOCUMENT.		DWG 180E001	Tyco Electronics Corporation Middletown, PA 17057	MMCX STRAIGHT PCB JACK	
DIMENSIONS: MM (INCHES)		CHK 180E001		APD 180E001	NAME
TOLERANCES UNLESS OTHERWISE SPECIFIED:		PRODUCT SPEC		SIZE	CAGE CODE
0 P.L.C.	±	108-2084		00779	1408150
1 P.L.C.	±	APPLICATION SPEC		SCALE 20:1 SHEET 1 OF 1 REV C	
2 P.L.C.	± 0.15 (0.005)	MATERIAL		WEIGHT 0.45g / 0.16oz	
3 P.L.C.	±	FINISH		CUSTOMER DRAWING	
4 P.L.C.	±				
ANGLES	±				

AMP 1471-9 REV 31MM0200

H:\products\mmcx\Shared\_Area\_Contents\_1-23-03\dwg\MMCX\_RT\_ANGLE\_PWB JACK\

1408150

A