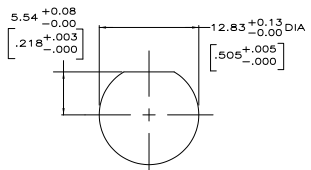
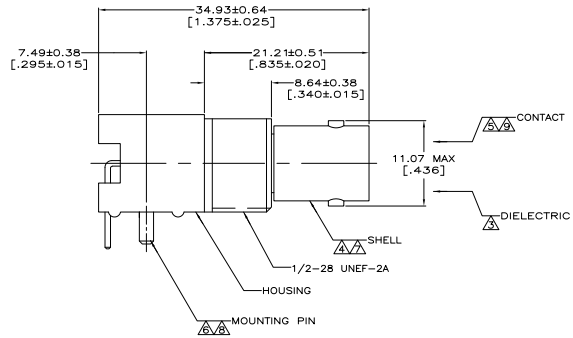
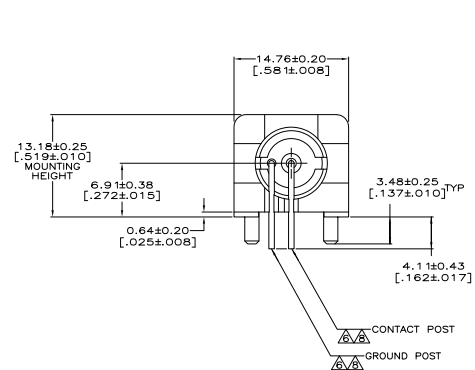
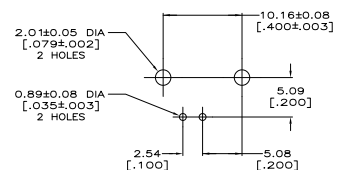


THIS DRAWING IS UNPUBLISHED. ALL RIGHTS RESERVED.
 © 2008 BY TTI ELECTRONICS CORPORATION. ALL RIGHTS RESERVED.

REV	DATE	DESCRIPTION	BY	CHK	APP
AJ	16				
B		REV PER ECO 08-009474			7/22/2008 DW JL



RECOMMENDED PANEL CUTOUT



PCB CONFIGURATION

- △ POLYESTER PBT PER MIL-M-24519, TYPE GPT-15F, UL94V-O RATED, COLOR:NATURAL
 - △ POLYESTER PBT PER MIL-M-24519, TYPE GPT-15F, UL94V-O RATED, COLOR:BLACK
 - △ POLYMETHYLPENTENE, GENERAL PURPOSE.
 - △ ZINC PER QQ-Z-363.
 - △ BERYLLIUM COPPER PER QQ-C-530.
 - △ BRASS PER ASTM-B-453.
 - △ NICKEL PLATE PER QQ-N-290
3.81 μm [.000150] MINIMUM THICK.
 - △ TIN PLATE PER ASTM-B-545
3.81 μm [.000150] MINIMUM THICK.
 - △ GOLD PLATE PER ASTM-B-488
0.76 μm [.000030] MINIMUM THICK.
10. SEE INSTRUCTION SHEET 408-2769.

△	5413194-2
△	5413194-1
HOUSING MATERIAL	PART NO

THIS DRAWING IS A CONTROLLED DOCUMENT.		REV	DATE	DESCRIPTION	BY	CHK	APP
mm [INCHES]	UNLESS OTHERWISE SPECIFIED						
1	mm						
2	mm						
3	mm						
4	mm						
5	mm						
6	mm						
7	mm						
8	mm						
9	mm						
10	mm						
11	mm						
12	mm						
13	mm						
14	mm						
15	mm						
16	mm						
17	mm						
18	mm						
19	mm						
20	mm						
21	mm						
22	mm						
23	mm						
24	mm						
25	mm						
26	mm						
27	mm						
28	mm						
29	mm						
30	mm						
31	mm						
32	mm						
33	mm						
34	mm						
35	mm						
36	mm						
37	mm						
38	mm						
39	mm						
40	mm						
41	mm						
42	mm						
43	mm						
44	mm						
45	mm						
46	mm						
47	mm						
48	mm						
49	mm						
50	mm						
51	mm						
52	mm						
53	mm						
54	mm						
55	mm						
56	mm						
57	mm						
58	mm						
59	mm						
60	mm						
61	mm						
62	mm						
63	mm						
64	mm						
65	mm						
66	mm						
67	mm						
68	mm						
69	mm						
70	mm						
71	mm						
72	mm						
73	mm						
74	mm						
75	mm						
76	mm						
77	mm						
78	mm						
79	mm						
80	mm						
81	mm						
82	mm						
83	mm						
84	mm						
85	mm						
86	mm						
87	mm						
88	mm						
89	mm						
90	mm						
91	mm						
92	mm						
93	mm						
94	mm						
95	mm						
96	mm						
97	mm						
98	mm						
99	mm						
100	mm						