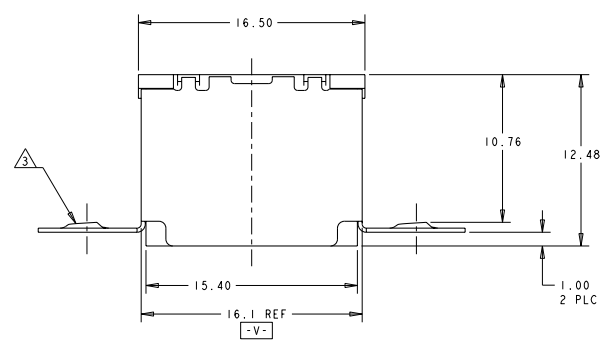
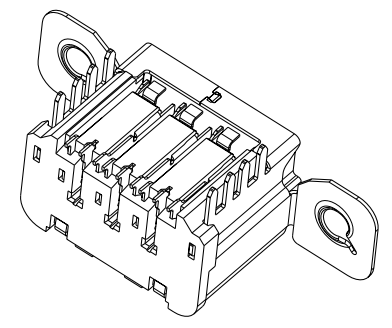
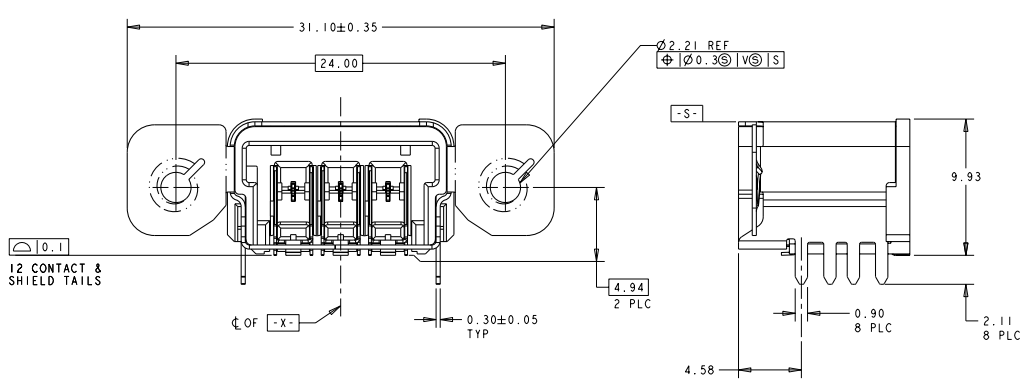


REV	DATE	BY	CHKD	APPROV
E	14AUG2007	KS	JC	
F	31JAN2008	REH	JJC	
G	18APR2008	DKS	JJC	
H	28MAY2009	DW	KW	



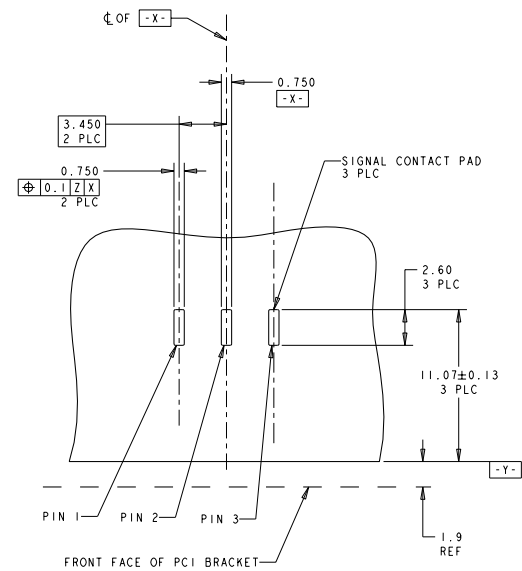
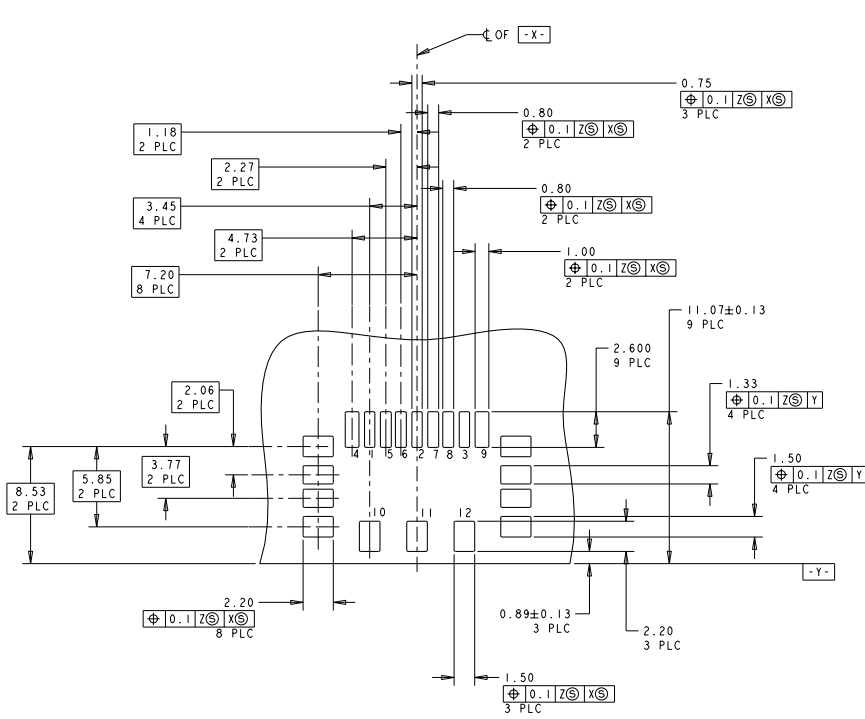
▲ MATERIAL:
 HOUSING - LCP UL94V0, COLOR - BLACK
 CONTACTS - SHIELDS - COPPER ALLOY
 SHELL - STEEL
 ▲ PLATING:
 CONTACTS - CONFORMS TO THE REQUIREMENT OF EIA/ECA-364-1000.01A (CONTROLLED ENVIRONMENT APPLICATIONS), AND TYCO ELECTRONICS PRODUCT SPECIFICATION 108-2324
 SOLDER TAIL - Sn OVER Ni
 SHIELDS - Sn OVER Ni
 SHELL - Sn OVER Ni OVER Cu
 ▲ FEATURES ACCEPT 4-40 THREAD SCREWS



1274824-2
PART NUMBER

DIMENSIONS: mm 	TO BE CHECKED BY: OPERATOR SPECIES: 0 PLC #: 1 PLC #: 2 PLC #0.13 3 PLC #0.013 4 PLC #: ANGLES #: FINISH #: MATERIAL #: FINISH #: ▲	DWG NO: 08DEC2006 J.J. CONSOLY DATE: 24JAN2007 APP'D: 24JAN2007 NAME: J.J. CONSOLY PRODUCT SPEC: 108-2324 APPLICATION SPEC: 114-5397 WEIGHT: CUSTOMER DRAWING	Tyco Electronics Harrisburg, PA 17105-3608 PCB JACK, 3 PORT QSL, RIGHT ANGLE, THROUGH-HOLE, w/PANEL FLANGES SHEET CASE CODE: A200779 DRAWING NO: 1274824 SCALE: 5:1 SHEET 1 OF 5 REV H	RESTRICTED TO:
-----------------------	--	---	---	----------------

LOC	DIST	REV	DESCRIPTION	DATE	BY	APPROV
AJ	00					
			SEE SHEET 1			



RECOMMENDED PCB STENCIL LAYOUT

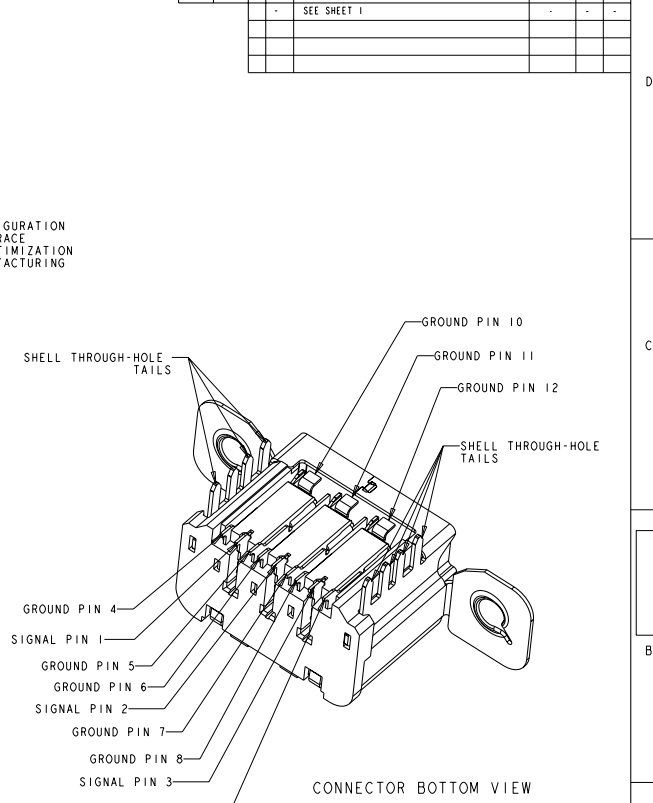
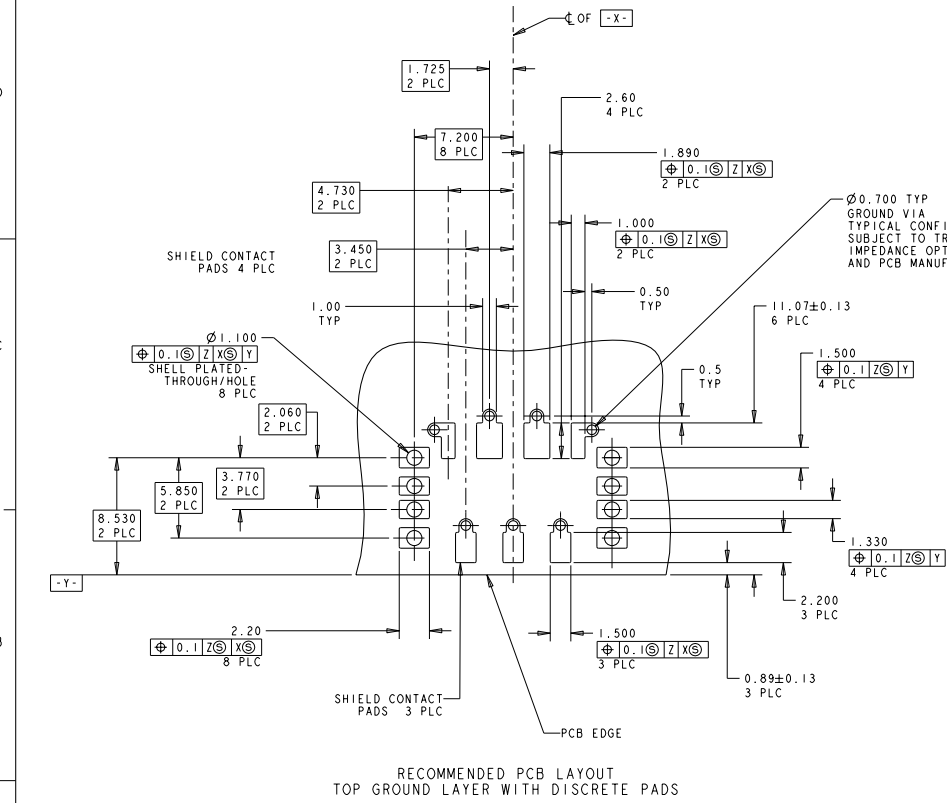
RECOMMENDED PCB LAYOUT TOP SIGNAL LAYER PADS

CIRCUIT "A" SIGNAL CONTACT PAD: #1
 CIRCUIT "A" GROUND CONTACT PADS: #4, 5, 10
 CIRCUIT "B" SIGNAL CONTACT PAD: #2
 CIRCUIT "B" GROUND CONTACT PADS: #6, 7, 11
 CIRCUIT "C" SIGNAL CONTACT PAD: #3
 CIRCUIT "C" GROUND CONTACT PADS: #8, 9, 12
 EIGHT UNMARKED PADS w/PLATED-THROUGH HOLES ARE FOR SHELL MECHANICAL HOLDDOWN TAILS

DIMENSIONS: mm 0 PLC ±.1 1 PLC ±.13 2 PLC ±0.13 3 PLC ±0.13 4 PLC ±.1 ANGLES ±.1 FINISH -		DATE: 08DEC2006 DESIGNED BY: J.J. CONSOLY CHECKED BY: J.J. CONSOLY APPROVED BY: J.J. CONSOLY PRODUCT SPEC: 108-2324 APPLICATION SPEC: 114-5397 WEIGHT: - CUSTOMER DRAWING	TITLE: PCB JACK, 3 PORT OSL, RIGHT ANGLE, THROUGH-HOLE, w/PANEL FLANGES SHEET: A200779 CASE CODE: - DRAWING NO: - SCALE: 5:1 SHEET: 2 OF 5 REV: H	Tyco Electronics Harrisburg, PA 17105-3608
--	--	--	---	---

LOC	DISP	REV	DATE	BY	APPROV
AJ	00				

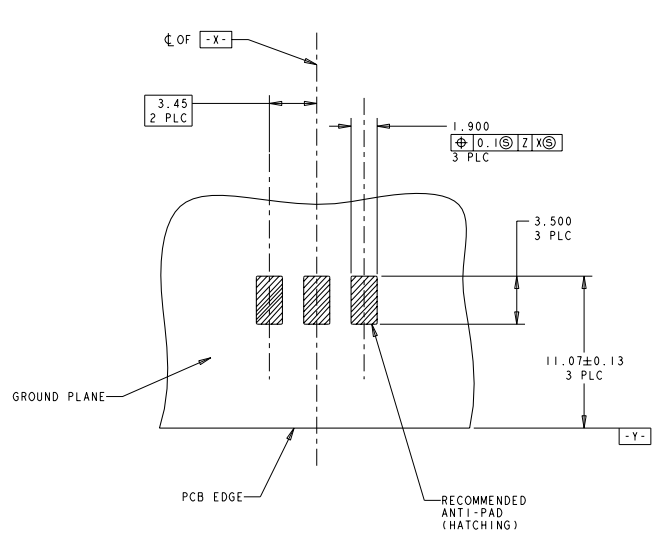
REVISIONS					
P	LY	DESCRIPTION	DATE	BY	APPROV
-		SEE SHEET 1	-	-	-



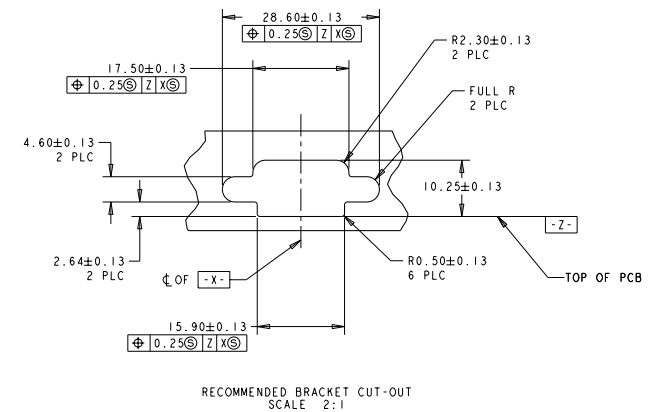
RECOMMENDED PCB LAYOUT
TOP GROUND LAYER WITH DISCRETE PADS

CONNECTOR BOTTOM VIEW

<small>THIS DRAWING IS UNPUBLISHED. RELEASED FOR PUBLICATION. BY TYCO ELECTRONICS CORPORATION. ALL RIGHTS RESERVED. COPYRIGHT 20</small>		DWG NO: 08DEC2006 CDR: J.J. CONSOLI DATE: 24JAN2007 APPR: J.J. CONSOLI DATE: 24JAN2007	Tyco Electronics Harrisburg, PA 17105-3608
DIMENSIONS: mm	TO: BRANDS DIVISION OPERATING SPEC: 108-2324 APPLICATION SPEC: 114-5397	NAME: J.J. CONSOLI PRODUCT SPEC: 108-2324 WEIGHT: - MATERIAL: -	PCB JACK, 3 PORT QSL, RIGHT ANGLE, THROUGH-HOLE, w/PANEL FLANGES SHEET CASE CODE: A200779 DRAWING NO: 1274824
CUSTOMER DRAWING		SCALE: 5:1	RESTRICTED TO: - SHEET 3 OF 5 REV H



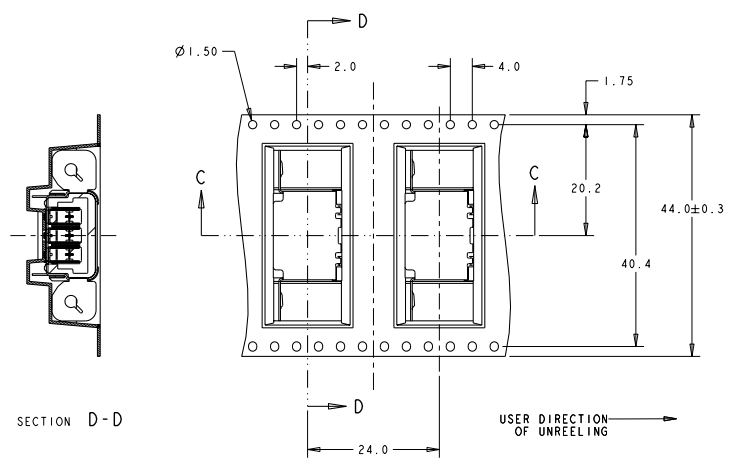
RECOMMENDED PCB LAYOUT OF ANTIPADS FOR ALL GROUND AND POWER LAYERS



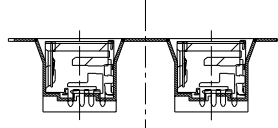
RECOMMENDED BRACKET CUT-OUT SCALE 2:1

DIMENSIONS: mm 		TO BE USED IN CONJUNCTION WITH THE FOLLOWING DRAWINGS: OPERATING SPECIFICATIONS		DWG 08DEC2006 CDR J.J. CONSOLI 24JAN2007 APP'D J.J. CONSOLI 24JAN2007	Tyco Electronics Harrisburg, PA 17105-3608
MATERIAL: - FINISH: -		PRODUCT SPEC: 108-2324 APPLICATION SPEC: 114-5397	NAME: PCB JACK, 3 PORT QSL, RIGHT ANGLE, THROUGH-HOLE, w/PANEL FLANGES	SHEET CASE CODE: A200779 DRAWING NO: 1274824	RESTRICTED TO: - SCALE: 5:1 SHEET 4 OF 5 REV H

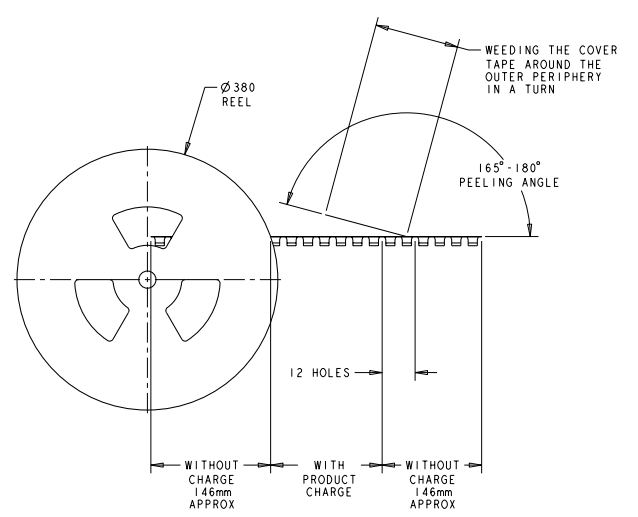
REVOLUTIONS		DATE	BY	APPROV
P	LYN			
- SEE SHEET 1				



SCALE 2:1



SECTION C-C



270 PIECES/REEL

SCALE 1:4

DIMENSIONS: mm 0 PLC ±.1 1 PLC ±.1 2 PLC ±0.13 3 PLC ±0.013 4 PLC ±. ANGLES ±. MATERIAL - FINISH -		DATE: 08DEC2006 CDR: J.J. CONSOLI APPD: J.J. CONSOLI PRODUCT SPEC: 108-2324 APPLICATION SPEC: 114-5397 WEIGHT: - CUSTOMER DRAWING	DATE: 24JAN2007 NAME: J.J. CONSOLI SHEET: A200779 CASE CODE: - DRAWING NO: 1274824 SCALE: 5:1 SHEET: 5 OF 5 REV: H	Tyco Electronics Harrisburg, PA 17105-3608 PCB JACK, 3 PORT QSL, RIGHT ANGLE, THROUGH-HOLE, W/PANEL FLANGES	RESTRICTED TO: -
--	--	---	---	---	------------------