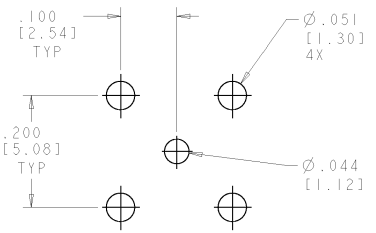
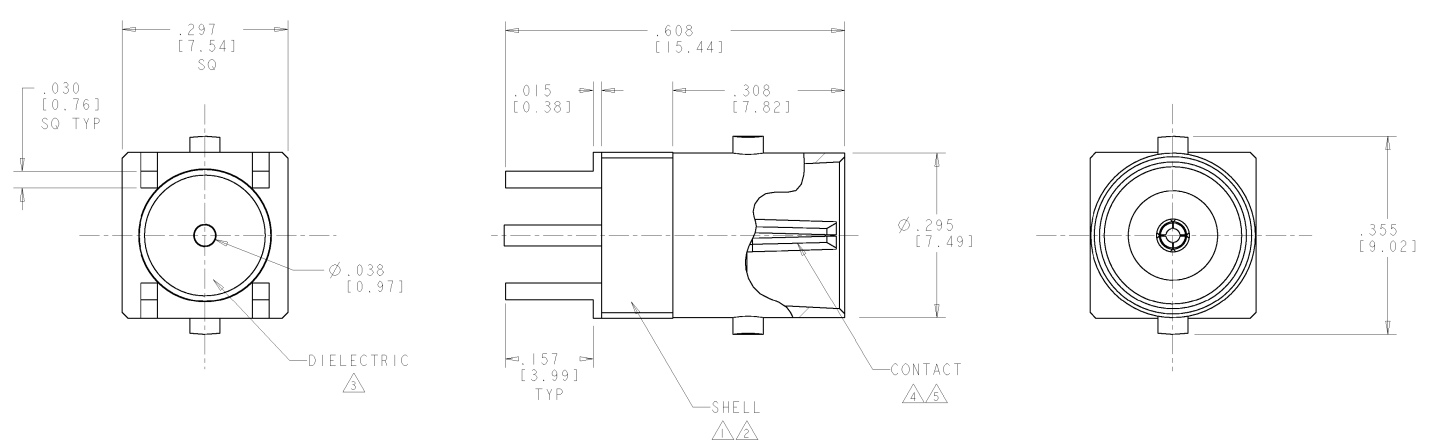


THIS DRAWING IS UNPUBLISHED.  
 (C) COPYRIGHT © BY TYCO ELECTRONICS CORPORATION. ALL RIGHTS RESERVED.

REVOLUTIONS		DATE	BY	CHKD
REV	DESCRIPTION			
B	REV PER 0514-0345-04	09/26/2004	B.W.	K.W.



- △ BRASS PER ASTM-B-16
- △ NICKEL PLATE PER QQ-N-290
- △ PTFE PER ASTM-D-1710
- △ PHOSPHOR BRONZE PER ASTM-B-139
- △ GOLD PLATE PER ASTM-B488

RECOMMENDED PCB LAYOUT  
 TOLERANCE: ±.003 [0.08]

1274571-1  
 PART NUMBER

DIMENSIONS: INCHES (mm)		DATE: 01 APR 2003	tyco Electronics	Trico Electronics Harrisburg, PA 17105-3400
D: .100 [2.54] TYP		DESIGNED BY: WEIDNER	JACK, VERTICAL, PCB, MINI BNC	
E: .015 [0.38]		CHKD: MICHAEL	SIZE: CASE CODE: DRAWING NO:	
F: .308 [7.82]		APPD: WEIDNER	A2100779 1274571	
G: .157 [3.99] TYP		DATE: 02 JAN 2004	RESTRICTED TO:	
H: .038 [0.97]		PRODUCT SPEC: 108-2159	-	
I: .030 [0.76] SQ TYP		APPLICATION SPEC: -	SCALE: 8:1 SHEET 1 OF 1 REV B	
J: .038 [0.97] DIA		WEIGHT: -		
K: .038 [0.97] DIA		CUSTOMER DRAWING		
L: .038 [0.97] DIA				
M: .038 [0.97] DIA				
N: .038 [0.97] DIA				
O: .038 [0.97] DIA				
P: .038 [0.97] DIA				
Q: .038 [0.97] DIA				
R: .038 [0.97] DIA				
S: .038 [0.97] DIA				
T: .038 [0.97] DIA				
U: .038 [0.97] DIA				
V: .038 [0.97] DIA				
W: .038 [0.97] DIA				
X: .038 [0.97] DIA				
Y: .038 [0.97] DIA				
Z: .038 [0.97] DIA				

AMP 1471-1 REV 20MAR2000  
 Proj/ENGINEER DRAWING