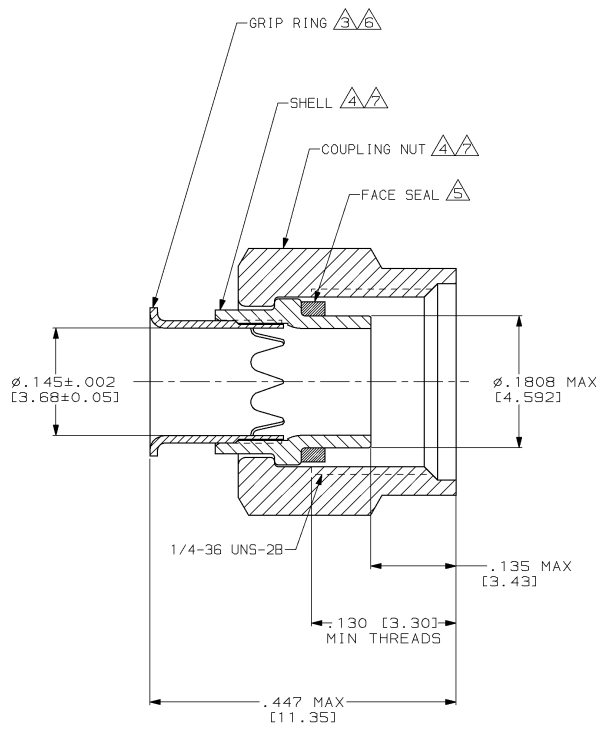
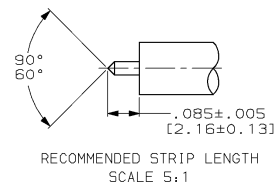
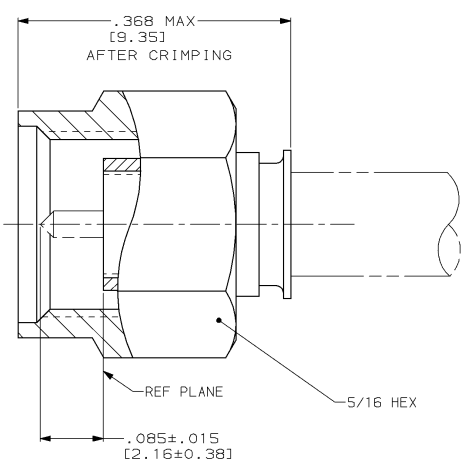


THIS DRAWING IS UNPUBLISHED. RELEASED FOR PUBLICATION .19
 © COPYRIGHT 19 BY AMP INCORPORATED. ALL INTERNATIONAL RIGHTS RESERVED.

LOC	DIST	P	F	ZONE	LTR	REVISIONS	DATE	APPD
AJ	16				G	REV PER 0630-0431-98	28OCT98	MO



- FOR USE WITH RG-402/U, .141 [3.58] SEMI-RIGID CABLE.
- SEE I.S. 6788.
- BRASS PER ASTM-B-36
- STAINLESS STEEL PER ASTM-A-582
- SILICONE RUBBER PER ZZ-R-765
- NICKEL PLATE PER QQ-N-290.
- PASSIVATION PER ASTM A967
- .500 [12.70] MIN LENGTH OF STRAIGHT CABLE REQUIRED TO APPLY THE CONNECTOR.

THIS DRAWING IS A CONTROLLED DOCUMENT FOR AMP INCORPORATED. IT IS SUBJECT TO CHANGE AND THE CONTROLLING ENGINEERING ORGANIZATION SHOULD BE CONTACTED FOR THE LATEST REVISION.

DO NOT SCALE PRINT. UNLESS SPECIFIED DIMENSIONS IN INCHES [mm] TOLERANCES ON: 2 PLC DEC # - 3 PLC DEC # - ANGLES ± -	DR 8-2-93 C.C. THOMAS CHK 8-17-93 J. CABARLO APPD 8-17-93 J. CABARLO	AMP AMP Incorporated Harrisburg, PA 17105-3608	
MATERIAL SEE CALLOUTS	NAME PLUG, SERIES SMA, RF	SIZE C 00779	DRAWING NO C-227531-5
FINISH SEE CALLOUTS	APPLICATION SPEC 108-12055	SCALE 10:1	SHEET 1 OF 1
WEIGHT .063 OZ	CUSTOMER DRAWING		

227531-5