

4

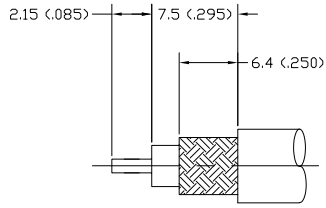
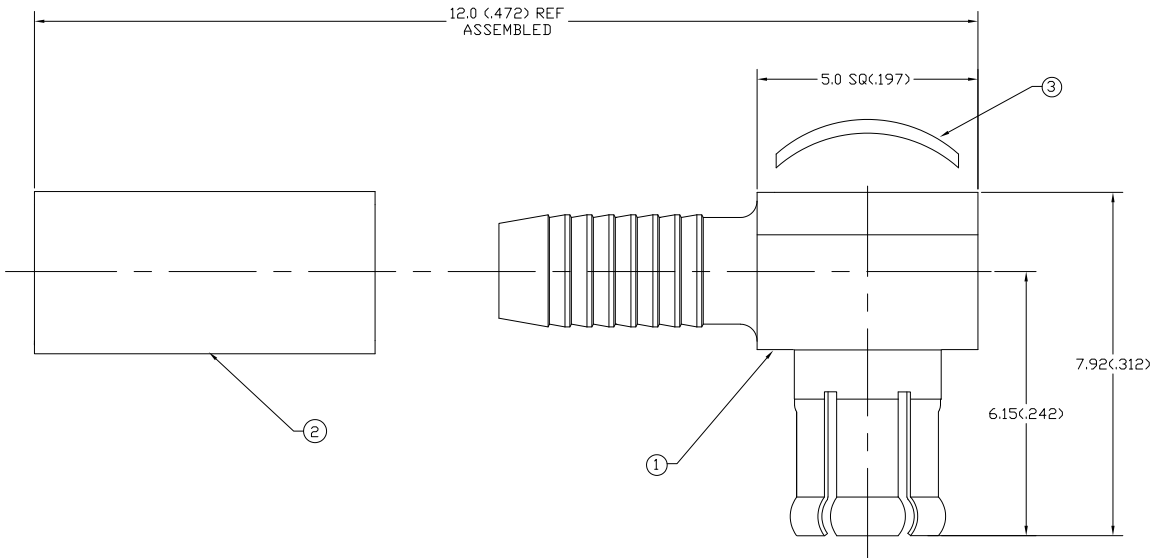
3

2

1

THIS DRAWING IS UNPUBLISHED. RELEASED FOR PUBLICATION
 © COPYRIGHT BY TYCO ELECTRONICS CORPORATION. ALL RIGHTS RESERVED.

LOC		DIST		REVISIONS			
F	LN	REV PER	ECO	DATE	BY	APP'D	
AJ	00	E		12MAR2008	DW	JL	



CABLE TRIM DIMENSIONS

RD316	GOLD	3-1403081-6	3-413889-2	1408228-4	1363301-2
RD316	NICKEL	3-1403081-3	2-413889-7	1408228-3	1363301-1
CABLE SIZE	HOUSING PLATE	CAP QTY=1	FERRULE QTY=1	HSG ASSY QTY=1	PART NUMBER

DIMENSIONS:		TOLERANCES UNLESS OTHERWISE SPECIFIED:		TYCO ELECTRONICS CORPORATION	
mm		0 PLG	± .05	DATE	12MARG1
		1 PLG	± .05	CHK	12MARG1
		2 PLG	± .05	DATE	12MARG1
		3 PLG	± .13	NAME	12MARG1
		4 PLG	± .13	PRODUCT SPEC	
		ANGLES	± .1°	APPLICATION SPEC	
				408-5328	
MATERIAL		FINISH		SIZE	CAGE CODE
				A2	00779
				DRAWING NO	C=1363301
				CUSTOMER DRAWING	SCALE
					20:1
				SHEET	1 of 1
				REV	E