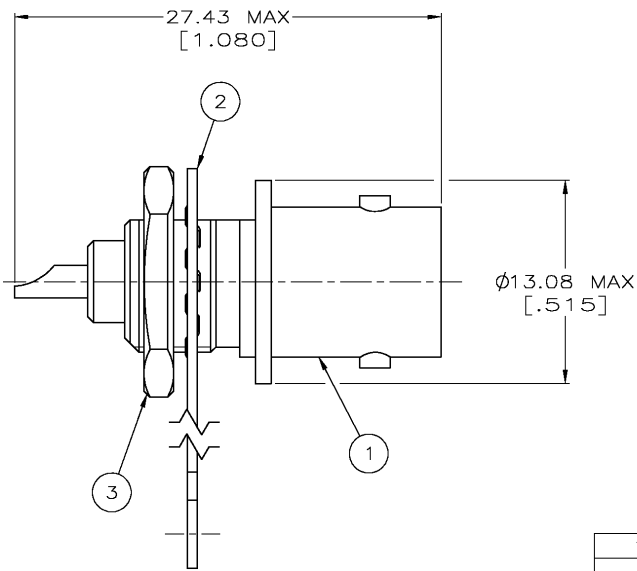


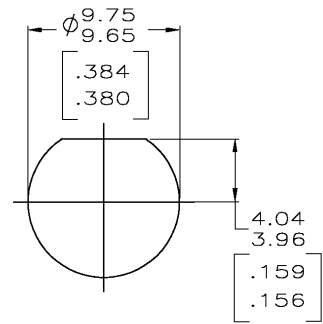
4 3 2 1

THIS DRAWING IS UNPUBLISHED. RELEASED FOR PUBLICATION  
 © COPYRIGHT - BY TYCO ELECTRONICS CORPORATION. ALL RIGHTS RESERVED.

LOC	DIST	REVISIONS			
P	LTR	DESCRIPTION	DATE	DWN	APVD
AJ	16	E	EC PER OS14-0192-04	11NOV2004	JGH JL



1. SEE I.S. 9086



RECOMMENDED PANEL CUTOUT

1-330249-1	9-227260-0	221245-1	221244-1
3 JAM NUT QTY=1	2 LOCKWASHER, TERMINAL QTY=1	1 JACK ASSY QTY=1	PART NUMBER

THIS DRAWING IS A CONTROLLED DOCUMENT.		DWN K. TOBIAS 1-8-93	Tyco Electronics Corporation Harrisburg, PA 17105-3608	
DIMENSIONS: INCHES		CHK J. LIPPERT 2-2-93	NAME	
TOLERANCES UNLESS OTHERWISE SPECIFIED:		APVD A. GABANY 2-2-93	SOLDER, JACK 75 OHM, SERIES BNC	
0 PLC ± -		PRODUCT SPEC 108-12079	RESTRICTED TO	
1 PLC ± -		APPLICATION SPEC	-	
2 PLC ± -		WEIGHT	-	
3 PLC ± -		MATERIAL	-	
4 PLC ± -		FINISH	-	
ANGLES ± -		CUSTOMER DRAWING	SIZE A3	CAGE CODE 00779
			DRAWING NO C-221244	SCALE 4:1
				SHEET 1 OF 1
				REV E