

4

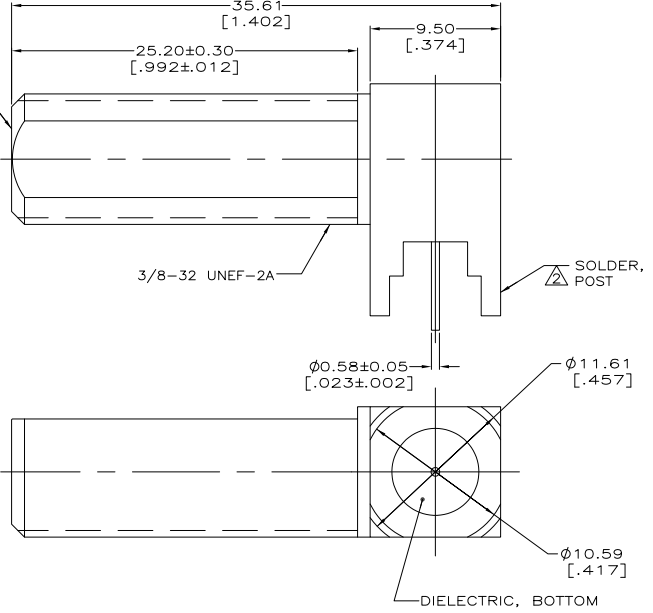
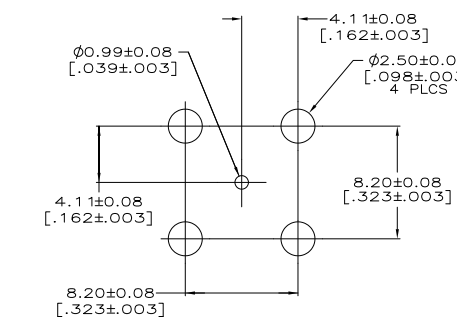
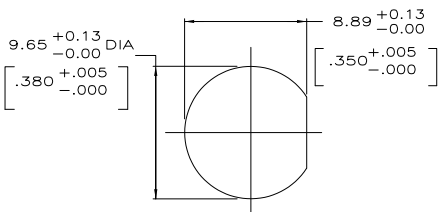
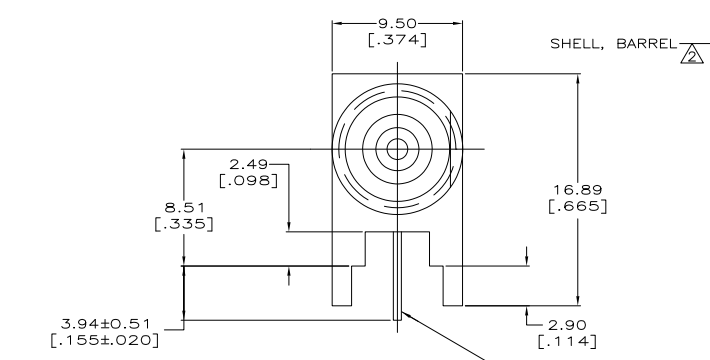
3

2

1

THIS DRAWING IS UNPUBLISHED. RELEASED FOR PUBLICATION  
 © COPYRIGHT BY TYCO ELECTRONICS CORPORATION. ALL RIGHTS RESERVED.

LOC	DIST	REVISIONS			
P	LR	DESCRIPTION	DATE	BY	APPD
AJ	00	B1	REVISED PER ECO-10-000444	19JAN10	KK HMR



- 1 PHOSPHOR BRONZE.
- 2 BRASS.
- 3 ACETAL, GENERAL PURPOSE
- 4 TIN PLATE 2.54 μm [.000100] MINIMUM THICK.
- 5 NICKEL PLATE 2.54 μm [.000100] MINIMUM THICK.
- 6 POLYPROPYLENE, GENERAL PURPOSE
- 7. CONNECTOR WILL ACCEPT CENTER CONDUCTOR DIAMETER RANGE OF .020-.047.
- 8 PTFE
- 9 OBSOLETE PARTS: OBSOLETE CIS STREAMLINING PER D.RENAUD/D.SINISI

1	2	3	4	5	5415024-4
1	1	1	1	1	<del>5415024-3</del>
1	1	1	1	1	5415024-1
SHELL BARREL PLATING	SOLDER POST PLATING	FRONT DIELECTRIC MATERIAL	MIDDLE DIELECTRIC MATERIAL	BOTTOM DIELECTRIC MATERIAL	PART NUMBER

THIS DRAWING IS A CONTROLLED DOCUMENT.

DESIGNED BY: G. ATTADIA	DATE: 01FER2005	Tyco Electronics Corporation Harrisburg, PA 17105-3608
CHECKED BY: J. HAVENER	DATE: 01FER2005	
DRAWN BY: K. WEDNER	DATE: 01FER2005	JACK, PCB, RIGHT ANGLE, F SERIES
PRODUCT SPEC: 108-1755	APPLICATION SPEC: -	
MATERIAL: -	WEIGHT: -	SIZE: A2
FINISH: -	HEIGHT: -	CAGE CODE: 00779
SEE NOTES 1-3, 6	SEE NOTE 4 & 5	DRAWING NO: C=5415024
CUSTOMER DRAWING		SCALE: 5:1

RESTRICTED TO: -  
 SHEET 1 of 1  
 REV B1

AMP 1471-9 REV 31MM2000

5415024

A