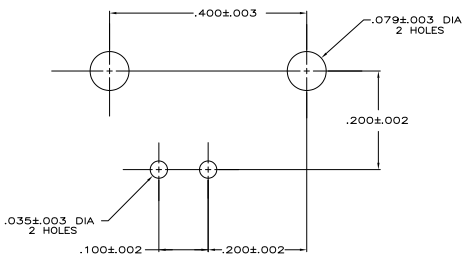
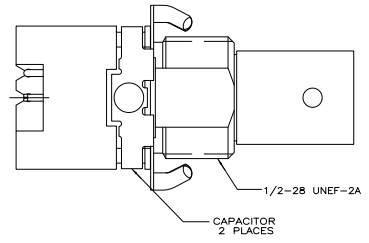


THIS DRAWING IS UNPUBLISHED  
 ALL RIGHTS RESERVED

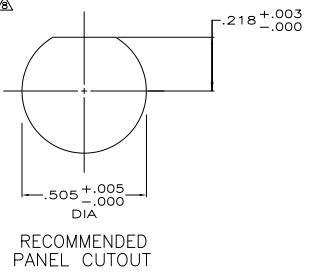
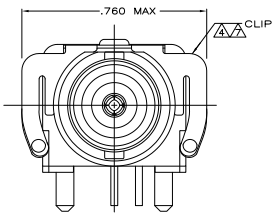
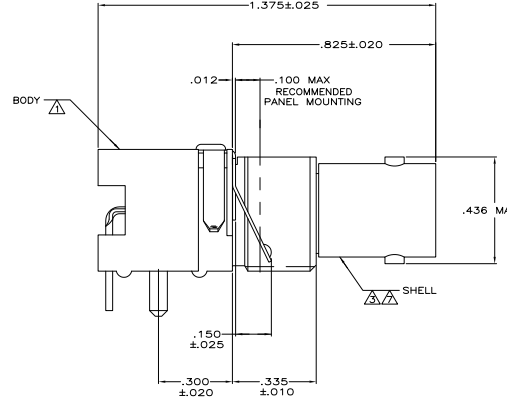
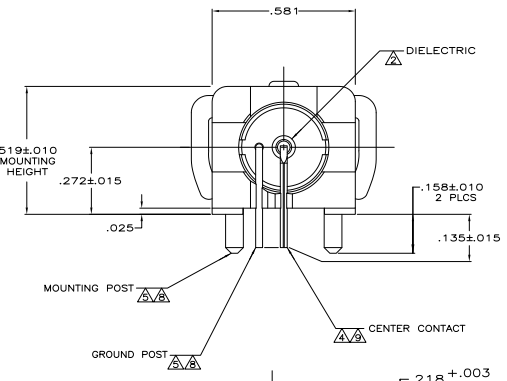
REV	DATE	DESCRIPTION	BY	APP'D
AJ	16			
B		REV PER ECO 08-09474		



P.C.B. CONFIGURATION  
 SCALE=10:1



- △ POLYESTER, PBT, BLACK, PER MIL-M-24519
- △ POLYMETHYLPENTENE, GENERAL PURPOSE
- △ ZINC PER QQ-Z-363
- △ PHOSPHOR BRONZE PER QQ-B-750
- △ BRASS PER ASTM-B-16
- △ BRASS PER ASTM-B-453
- △ NICKEL PLATE PER QQ-N-290
- △ TIN PLATE PER ASTM-B-545
- △ SELECTIVELY GOLD PLATED ON INTERFACE AREA PER ASTM-B-488, .000030 THK, TIN PLATE ON SOLDER TAIL PER ASTM-B-545, ALL OVER NICKEL PL PER QQ-N-290



9400 pf, 1500 VDC		5414094-2	
CAPACITANCE & VOLTAGE		PART NUMBER	
THIS DRAWING IS A CONTROLLED DOCUMENT			
APPROVED	DESIGNED	CHECKED	DATE
ALCOCKA	DOUGLAS	SMITH	
BY	DATE	BY	DATE
ALCOCKA	108-1269	SMITH	
REV	DATE	DESCRIPTION	REVISIONS
A	100779	G=5414094	
CUSTOMER DRAWING		REV 5.1	