

4

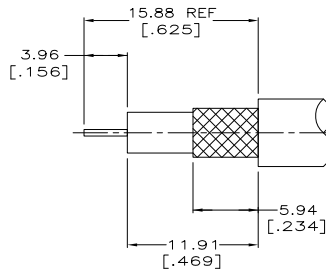
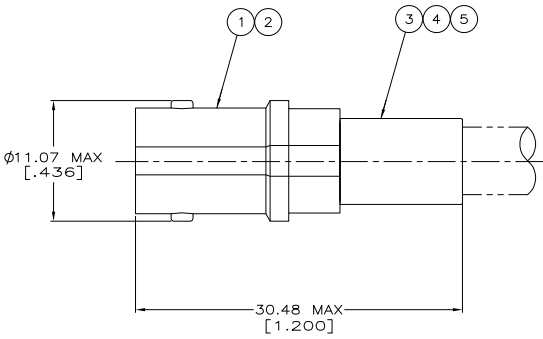
3

2

1

THIS DRAWING IS UNPUBLISHED. RELEASED FOR PUBLICATION
 © COPYRIGHT BY TYCO ELECTRONICS CORPORATION. ALL RIGHTS RESERVED.

LOC	DIST	REVISIONS					
		F	LTR	DESCRIPTION	DATE	BY	APPD
AJ	17	A		REVISED PER EC 0514-0150-05	30AUG05	BM	JL



RECOMMENDED STRIP LENGTH

- 1. USE WITH PRO-CRIMPER 354940-1.
- 2. USE INSTRUCTION SHEET 408-9090.
- 3. DIELECTRIC MUST WITHSHAND A 5 LB PUSH OUT FORCE.

RG-179	58304-1	222001-8	227194-2	9-328666-0	2-221200-0	221202-3	5221199-5
RG-59/U,59A/U & 59B/U	58085-1	-	-	9-50428-0	221200-3	221202-2	5221199-2
BELDEN 9248, MADISON 18AWG	58086-1	-	-	9-50427-0	3-221200-2	221202-1	5221199-1
FOR USE WITH CABLE	DIE SET	5 TUBING, METAL QTY=1	4 TUBING, PLASTIC QTY=1	3 FERRULE QTY=1	2 CONTACT QTY=1	1 JACK ASSEMBLY QTY=1	PART NUMBER

DIMENSIONS		TO FINISHES UNLESS OTHERWISE SPECIFIED		TYCO ELECTRONICS CORPORATION	
mm	[INCHES]	PLC	FIN	DATE	NAME
0	PLC	±	-	25JAN2005	J. HAVENER
1	PLC	±	-	25JAN2005	J. HAVENER
2	PLC	±	-	25JAN2005	J. LIPPERT
3	PLC	±	0.41 (014)		NAME
4	PLC	±	-		108-12095
5	PLC	±	-		APPLICATION SPEC
6	PLC	±	-		SIZE
7	PLC	±	-		CAGE CODE
8	PLC	±	-		DRAWING NO
9	PLC	±	-		RESTRICTED TO
10	PLC	±	-		WEIGHT
11	PLC	±	-		A2 00779
12	PLC	±	-		C-5221199
13	PLC	±	-		CUSTOMER DRAWING
14	PLC	±	-		SCALE
15	PLC	±	-		4:1
16	PLC	±	-		SHEET
17	PLC	±	-		1 of 1
18	PLC	±	-		REV
19	PLC	±	-		A