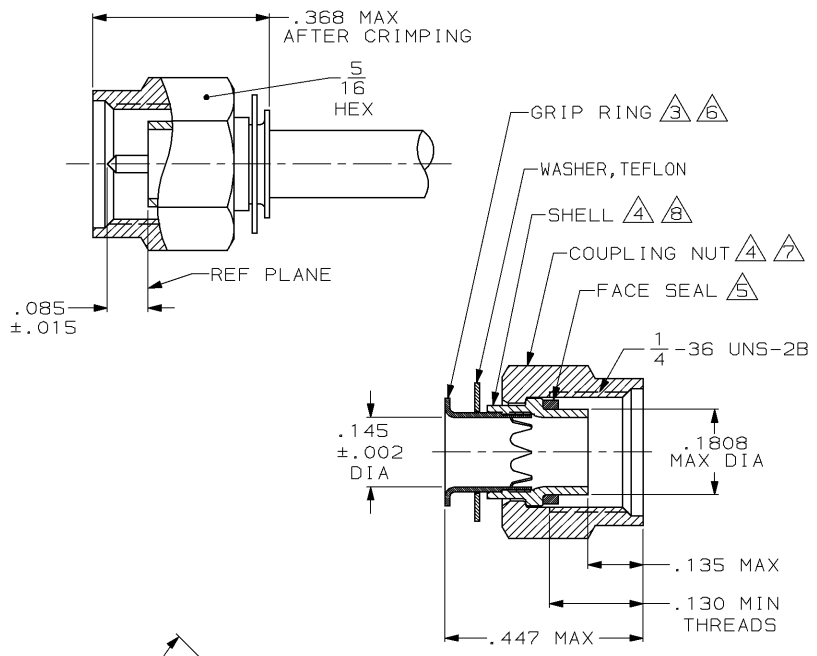


DRAWING MADE IN THIRD ANGLE PROJECTION

THIS DRAWING IS UNPUBLISHED. RELEASED FOR PUBLICATION _____, 19____

© COPYRIGHT 19____ BY AMP INCORPORATED, HARRISBURG, PA. ALL INTERNATIONAL RIGHTS RESERVED. AMP PRODUCTS MAY BE COVERED BY U.S. AND FOREIGN PATENTS AND/OR PATENTS PENDING.

LOC	DIST	P	F	ZONE	LTR	DESCRIPTION	DATE	APPROVED
AJ	16					E REV PER 0630-0431-98	28OCT98	MO



- FOR USE WITH: RG-402/U, .141 SEMI RIGID CABLE
- SEE I.S. 6788
- BRASS PER ASTM-B-36
- STAINLESS STEEL PER ASTM-A-582
- SILICONE RUBBER PER ZZ-R-765
- NICKEL PL PER QQ-N-290
- PASSIVATION PER ASTM A967
- 00779 M39012/92-3301
- .500 MIN LENGTH OF STRAIGHT CABLE REQUIRED TO APPLY THE CONNECTOR

RECOMMENDED STRIP LENGTH

UNLESS OTHERWISE SPECIFIED TOLERANCES ON:		DR 11-30-87	228635-1	
2 PL DEC ±		M. SNEED	PART NO	
3 PL DEC ±		CHK 1-4-88	AMP INCORPORATED	
ANGLES ±		D. HEIDE	Harrisburg, Pa. 17105	
		APPD 1-4-88	NAME	
MATERIAL	THRU	D. HEIDE	PLUG, RF, SERIES SMA	
		APPD 1-4-88	SIZE	FSCM NO
		M. SNEED	B	00779
		PRODUCT SPEC	DRAWING NO	228635-1
		108-12055	SCALE	5:1
FINISH		APPLICATION SPEC	SHEET	1 OF 1
		WEIGHT .063 OZ		

CUSTOMER DRAWING