

4

3

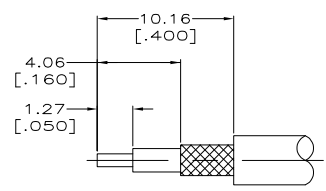
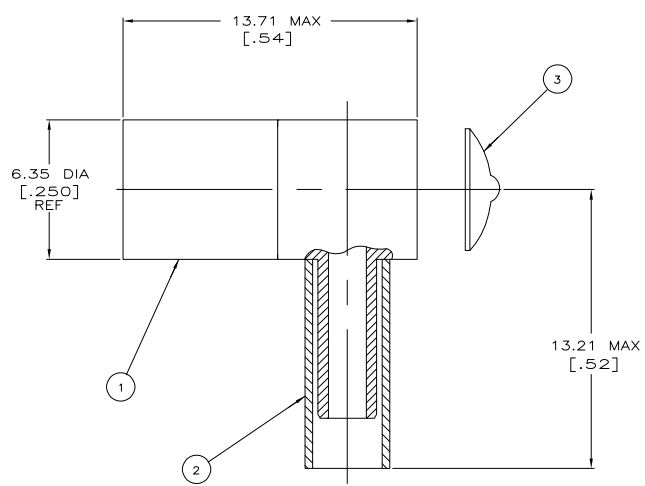
2

1

THIS DRAWING IS UNPUBLISHED. RELEASED FOR PUBLICATION  
 © COPYRIGHT - BY TYCO ELECTRONICS CORPORATION. ALL RIGHTS RESERVED.

LOC	DIST	REVISIONS				
P	LTR	DESCRIPTION	DATE	DWN	APVD	
AJ	16	REVISED PER 0514-0150-05.	04OCT2005	REH	JGH	

1. INTERFACE PER MIL-C-39012.
2. SEE INSTRUCTION SHEET 408-2987-9.



RECOMMENDED STRIP LENGTHS  
SCALE NTS

A	58483-1	.105	HX4-1637	414013-3	1-413889-5	9-414364-2	RG 178,196	5414363-8	
B	58483-1	.128	HX4-1637	414013-3	1-413889-3	9-414364-1	RG 174,188,316	5414363-5	
C	58483-1	.151	HX4-1637	414013-3	1-413889-4	9-414364-0	RG 174,188,316(ALL DBL SHIELDED)	5414363-4	
B	58483-1	.128	HX4-1637	414013-3	1-413889-3	9-414364-0	RG 174,188,316	5414363-3	
POSITION LETTER	AMP DIE SET	HEX SIZE	DANIELS DIE SET	③ END CAP QTY=1	② FERRULE QTY=1	① PLUG ASSY QTY=1	CABLE	PART NO	
AMP PRO-CRIMPER FOR BRAID CRIMP		M 22520/5-01 FOR BRAID CRIMP							

TOOLING INFORMATION

THIS DRAWING IS A CONTROLLED DOCUMENT.

DIMENSIONS:	TOLERANCES UNLESS OTHERWISE SPECIFIED:
mm [INCHES]	
0 PLC	± -
1 PLC	± -
2 PLC	± 0.25 [.010]
3 PLC	± 0.130 [.005]
4 PLC	± -
ANGLES	± 1°
MATERIAL	FINISH
-	-

DWN	J. HAVENER	23MAR2005	 Tyco Electronics Corporation Harrisburg, PA 17105-3608
CHK	J. HAVENER	23MAR2005	
APVD	J. HAVENER	23MAR2005	
PRODUCT SPEC	-		
APPLICATION SPEC	-		NAME
WEIGHT	-		PLUG,RTANG CRIMP,HEX CRIMP,SMB
CUSTOMER DRAWING	SCALE	8:1	RESTRICTED TO
	SIZE	A3	
	CAGE CODE	00779	
	DRAWING NO	5414363	
	SHEET	1 of 1	
	REV	A	