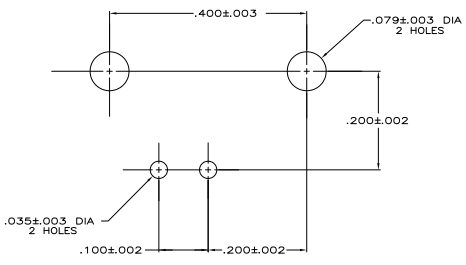
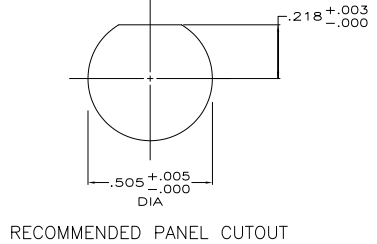
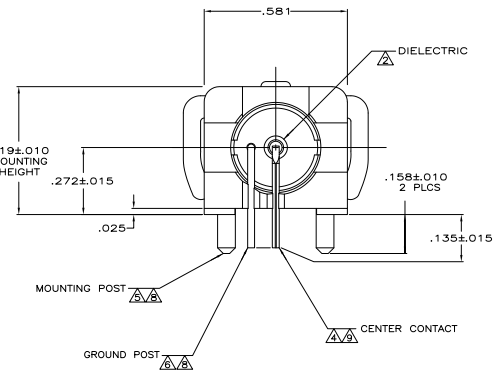


THIS DRAWING IS UNPUBLISHED
 © 2008 BY TDS ELECTRONICS CORPORATION ALL RIGHTS RESERVED

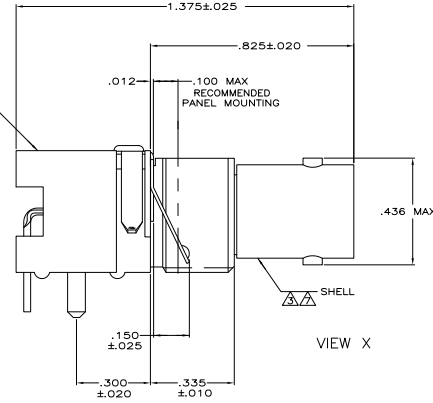
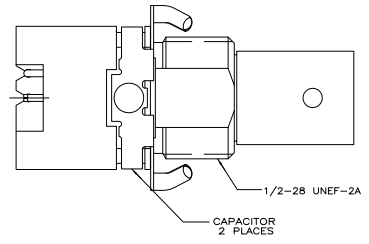
REV	DATE	DESCRIPTION	BY	APP'D
AJ	16			
C		REV PER EDO 08-00474		7/22/2008 DW JL
C1		REVISED PER EDO-10-00444		10/30/10 KK HMR



P.C.B. CONFIGURATION
 SCALE=10:1

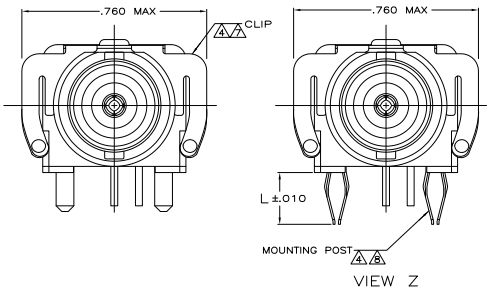


RECOMMENDED PANEL CUTOUT



VIEW X

- ▲ POLYESTER, PBT, BLACK, PER MIL-M-24519.
- ▲ POLYMETHYLPENTENE GENERAL PURPOSE.
- ▲ ZINC PER QQ-Z-363.
- ▲ PHOSPHOR BRONZE PER QQ-B-750.
- ▲ BRASS PER QQ-B-626.
- ▲ BRASS PER ASTM-B-453.
- ▲ NICKEL PL PER QQ-N-290.
- ▲ TIN PLATE PER ASTM-B-545.
- ▲ SELECTIVELY GOLD PLATED ON INTERFACE AREA PER MIL-G-45204, .000030 THK, TIN PLATED ON SOLDER TAIL PER ASTM-B-545, ALL OVER NICKEL PL PER QQ-N-290.
- ▲ TRAY PACKAGING.
- ▲ OBSOLETE PARTS: OBSOLETE CIS STREAMLINING PER D.RENAUD/D.SINISI



VIEW Z

REVISION	DESCRIPTION	DATE	BY	APP'D
1	VIEW X	9400 pf, 1500 VDC		-1-5413515-2
2	VIEW Z	9400 pf, 1500 VDC		5413515-9
3	VIEW Z	9400 pf, 1500 VDC		5413515-8
4	VIEW Z	7900 pf, 1600 VDC		5413515-7
5	VIEW X	20000 pf, 500 VDC		-5413515-3
6	VIEW X	9400 pf, 1500 VDC		5413515-2

REVISION	DESCRIPTION	DATE	BY	APP'D
1	MOUNTING POST	CAPACITANCE & VOLTAGE		PART NO

THIS DRAWING IS A CONTROLLED DOCUMENT. TDS ELECTRONICS CORPORATION, Harrisburg, PA 17105-3608

DESIGNED BY: JAVIER PEREZ
 CHECKED BY: JAVIER PEREZ
 DATE: 10B-1269

REVISIONS: JACK DECOUPLER, RIGHT ANGLE/LOW PROFILE, SERIES BNC

DATE: 10/07/09
 DRAWN BY: G=5413515
 CUSTOMER DRAWING

MP 440 REV 01/2008