

4

3

2

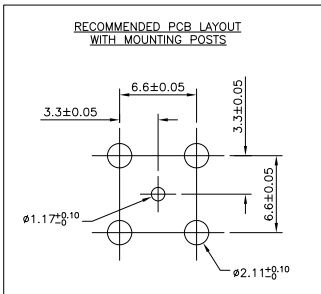
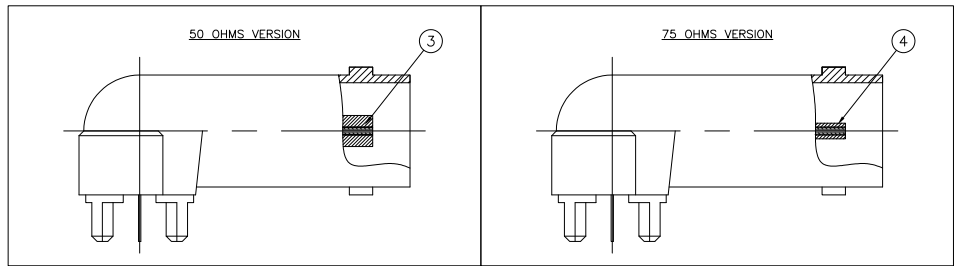
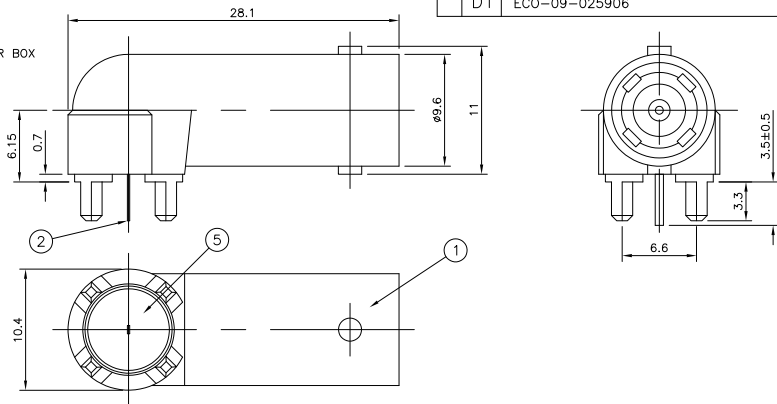
1

THIS DRAWING IS UNPUBLISHED. RELEASED FOR PUBLICATION FEB. 2004.
 © COPYRIGHT 2004 BY TYCO ELECTRONICS CORPORATION. ALL RIGHTS RESERVED.

LOC		DIST		REVISIONS			
P	LTR	DESCRIPTION		DATE	DWN	APVD	
D1		ECO-09-025906		20 NOV 09	RITA	BOB	

NOTES

- △ TRAY PACK: 50PCS/TRAY, 1000PCS/OUTER BOX
- △ SINGLE PACK: 1PC/ONE BAG, 100 BAGS/ONE INNER BOX, 10 INNER BOXES/ONE OUTER BOX
- △ Au PLATING
- △ Ni PLATING
- 5 FOR TECHNICAL DATA REFER TO YOUR LOCAL TYCO ELECTRONICS SALES OFFICE
- 6 ALL DIMENSIONS ARE NOMINAL FOR REFERENCE ONLY UNLESS OTHERWISE STATED



QTY	DESCRIPTION	MATERIAL	DESCRIPTION	ITEM			
1	1	1	1	PTFE	INSULATOR	5	
1	1	-	-	TPX	INSULATOR	4	
-	-	1	1	TPX	INSULATOR	3	
1	1	1	1	PHOS BRONZE	CONTACT	2	
1	1	1	1	ZINC ALLOY	BODY	1	
5--3	5--2	5--1	5--0		MATERIAL	DESCRIPTION	ITEM

THIS DRAWING IS A CONTROLLED DOCUMENT.

DIMENSIONS:	TOLERANCES UNLESS OTHERWISE SPECIFIED:	DWN	10 Mar 09	Tyco Electronics Corporation	
MM	0 PLC ± 0.5	CHK	10 Mar 09	Kunshan, Jiangsu, PRC 215312	
	1 PLC ± 0.3	APVD	10 Mar 09	NAME	
	2 PLC ± 0.2	RITA ZUO			
	3 PLC ± -	ANSON MA			
	4 PLC ± -	BOB ZHAO			
MATERIAL	FINISH	PRODUCT SPEC			
SEE TABLE	SEE TABLE	108-112000			
		APPLICATION SPEC			
		WEIGHT			
		SIZE			
		CAGE CODE			
		DRAWING NO			
		RESTRICTED TO			
		CUSTOMER DRAWING			
		SCALE		SHEET	
		NTS		1 OF 1	
				REV	
				D1	