

4

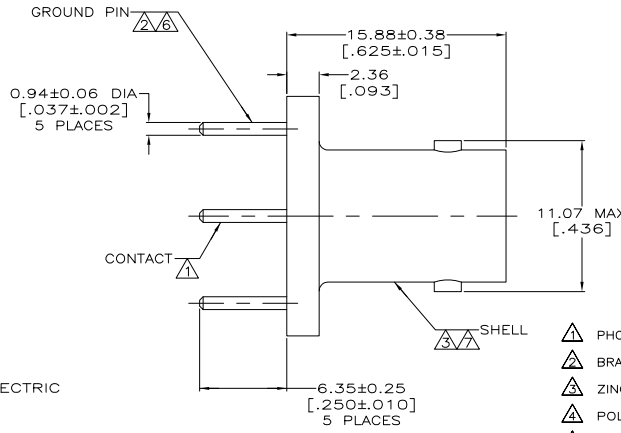
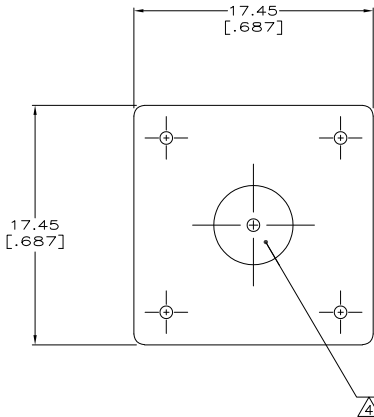
3

2

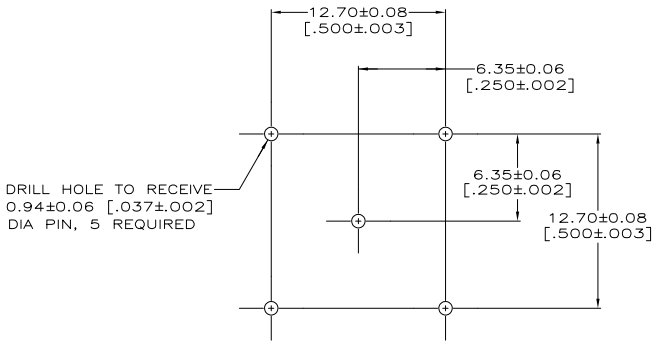
1

THIS DRAWING IS UNPUBLISHED. RELEASED FOR PUBLICATION
 © COPYRIGHT BY TYCO ELECTRONICS CORPORATION. ALL RIGHTS RESERVED.

LOC	DIST	REVISIONS				
		F	LR	DATE	MIN	APD
AJ	17	A		REVISED PER EC OS14-0150-05	30AUG05	BM JL



- △ PHOSPHOR BRONZE PER QQ-B-750.
- △ BRASS PER QQ-B-626.
- △ ZINC PER QQ-Z-363.
- △ POLYESTER, PBT, PER MIL-M-24519.
- △ SILVER PLATE PER QQ-S-365
2.54µm [0.000100] MINIMUM THICK.
- △ TIN PLATE PER ASTM-B-545
2.54µm [0.000100] MINIMUM THICK.
- △ NICKEL PLATE PER QQ-N-290
3.81µm [0.000150] MINIMUM THICK.
- △ GOLD PLATE PER ASTM-B-48B,
0.76µm [0.000030] MINIMUM THICK.
- 9. SEE INSTRUCTION SHEET 408-9889.



SUGGESTED PCB CONFIGURATION

△	5227699-3
△	5227699-2
△	5227699-1
CONTACT FINISH	PART NUMBER

THIS DRAWING IS A CONTROLLED DOCUMENT.		DRN L VARELA 21APR2005	Tyco Electronics Corporation Harrisburg, PA 17105-3608	
DIMENSIONS: mm (INCHES)		CHK J HAVENER 21APR2005	NAME Electronics	
TOLERANCE UNLESS OTHERWISE SPECIFIED:		APD J LIPPERT 21APR2005	PRODUCT SPEC 108-12078	
0 PLC ± -		APPLICATION SPEC		
1 PLC ± -		WEIGHT -		
2 PLC ± 0.30 (1.000)		SIZE CAGE CODE DRAWING NO		
3 PLC ± -		A2 00779 C-5227699		
4 PLC ± -		RESTRICTED TO		
ANGLE ± -		CUSTOMER DRAWING		
FINISH		SCALE 5:1 SHEET 1 OF 1 REV A		

5227699

A