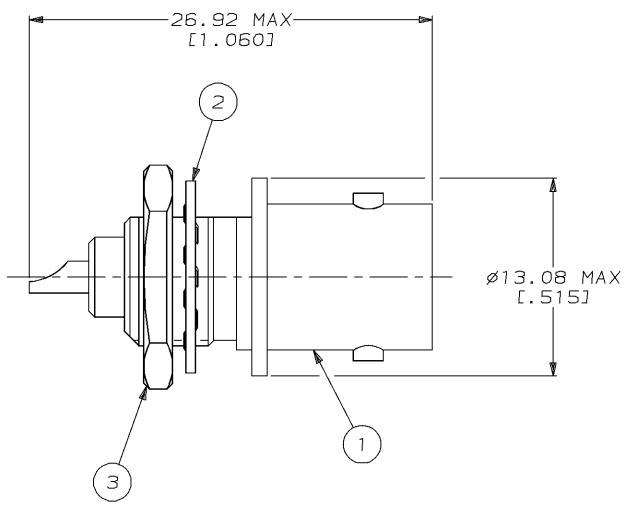
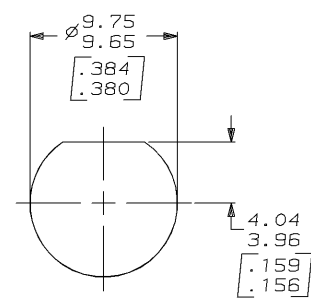


THIS DRAWING IS UNPUBLISHED. RELEASED FOR PUBLICATION, 19 .  
 © COPYRIGHT 19 BY AMP INCORPORATED. ALL INTERNATIONAL RIGHTS RESERVED.

LOC	DIST	P	F	ZONE	LTR	REVISIONS	DATE	APPD
AJ	16					REDWN PER 0220-0412-94	6-3-94	JL



1. .125 MAX PANEL THICKNESS.



RECOMMENDED PANEL CUTOUT

1-330249-1	1-329492-1	227756-3	227754-3
1-330249-1	1-329492-1	227756-2	227754-2
1-330249-1	1-329492-1	227756-1	227754-1
③ JAM NUT QTY=1	② LOCKWASHER QTY=1	① JACK ASSY QTY=1	PART NUMBER

			PART NO
DO NOT SCALE PRINT. UNLESS SPECIFIED DIMENSIONS IN mm [INCHES] TOLERANCES ON: 2 PLC DEC ± - 3 PLC DEC ± - ANGLES ± -	DR 6-3-94 J. LIPPERT CHK 6-3-94 M. TOMCHACK APPD 6-3-94 M. TOMCHACK APPD 6-3-94 J. LIPPERT PRODUCT SPEC 108-12079	<b>AMP</b> AMP Incorporated Harrisburg, PA 17105-3608 NAME <b>SOLDER JACK, 50Ω,          SERIES BNC</b>	
MATERIAL -	APPLICATION SPEC -	SIZE B	CAGE CODE 00779
FINISH -	WEIGHT -	DRAWING NO	227754
		SCALE 4:1	SHEET 1 OF 1

AMP 1470-15 REV 11-89  
 06 JUN 1994 10:40:39 AMP25904

CUSTOMER DRAWING